

Tubular terminals, KDR type

FEATURES & BENEFITS

- ring terminal Cu, as per DIN, with galvanic tin plating
- description of cable cross-section, terminal size and crimping die number on crimped part surface
- for demanding applications
- very wide range

MECHANICAL DATA

Material	Cu
Covering	tin-plated

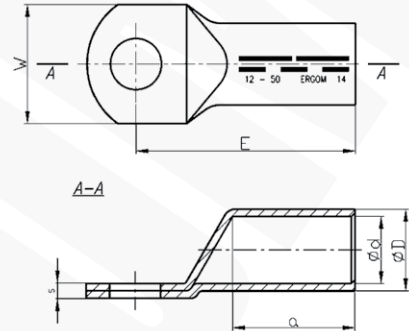
CERTIFICATES & STANDARDS

Standards	EN 61238-1: 2004 (Class A)
UL certificate	E475284
Design	DIN 46235

NOTE!

Sector-shaped conductors (sm) must be rounded with special dies.

UL certificate - visit www.ergom.com



Type	Index Ergom	Cross-section, m ² /mm ²	d	D	s	a	E	W	Screw hole	DIN	UL	Socket code no.	Lz/s	Lz/w	Quantity in package [pcs]	Weight [kg]								
KDR 6/5 (100 PCS)	E11KM-02020100040	6	3,8	5,5	1,5	10	24	8,5	M5	√	-	5	-	1	100	0,28								
KDR 6/6 (100 PCS)	E11KM-02020100060							M6	-	0,31														
KDR 6/8 (100 PCS)	E11KM-02020100080							M8	-	0,31														
KDR 10/5 (100 PCS)	E11KM-02020100100	10	4,5	6,0	1,5	12	27	9	M5	√	6	-	1	100	0,4									
KDR 10/5 (10 PCS)	E11KM-02020100102								M6	√				10	0,04									
KDR 10/6 (100 PCS)	E11KM-02020100200							M6	√	100				0,45										
KDR 10/6 (10 PCS)	E11KM-02020100202							M6	-	10				0,05										
KDR 10/8 (100 PCS)	E11KM-02020100300							M8	-	100				0,4										
KDR 10/8 (10 PCS)	E11KM-02020100302							M8	-	10				0,04										
KDR 10/10 (100 PCS)	E11KM-02020100350							M10	-	100				0,4										
KDR 10/10 (10 PCS)	E11KM-02020100352							M10	-	10				0,04										
KDR 16/6 (100 PCS)	E11KM-02020100400							16	5,5	8,5				2,5	20	36	M6	-	8	√	1	2	100	1,3
KDR 16/6 (10 PCS)	E11KM-02020100402																M6	-					10	0,13
KDR 16/8 (100 PCS)	E11KM-02020100500	M8	√	100	1,4																			
KDR 16/8 (10 PCS)	E11KM-02020100502	M8	√	10	0,14																			
KDR 16/10 (100 PCS)	E11KM-02020100600	M10	√	100	1,4																			
KDR 16/10 (10 PCS)	E11KM-02020100602	M10	-	10	0,14																			
KDR 16/12 (100 PCS)	E11KM-02020100700	M12	-	100	1,4																			
KDR 16/12 (10 PCS)	E11KM-02020100702	M12	-	10	0,14																			

Type	Index Ergom	Cross-section, mm/sm [mm ²]	d	D	s	a	E	W	Screw hole	DIN	UL	Socket code no.	Lz/s	Lz/w	Quantity in package [pcs]	Weight [kg]																	
KDR 25/6 (100 PCS)	E11KM-02020100800	25	7,0	10,0	3,0	20	38	14	M6			10	1	2	100	1,65																	
KDR 25/6 (10 PCS)	E11KM-02020100802																						10	0,17									
KDR 25/8 (100 PCS)	E11KM-02020100900																16	M8						100	1,65								
KDR 25/8 (10 PCS)	E11KM-02020100902																		√					10	0,17								
KDR 25/10 (100 PCS)	E11KM-02020101000																17	M10						100	1,65								
KDR 25/10 (10 PCS)	E11KM-02020101002																			√				10	0,17								
KDR 25/12 (100 PCS)	E11KM-02020101100																19	M12						100	1,65								
KDR 25/12 (10 PCS)	E11KM-02020101102																				10	0,17											
KDR 25/14 (100 PCS)	E11KM-02020101200							2,0		40	21				M14	-					100	1,9											
KDR 25/14 (10 PCS)	E11KM-02020101202															-					10	0,19											
KDR 25/16 (100 PCS)	E11KM-02020101300							1,0		45	25				M16	-					100	1,8											
KDR 25/16 (10 PCS)	E11KM-02020101302															-					10	0,18											
KDR 35/6 (100 PCS)	E11KM-02020101400				35	8,2	12,5	4,0	20	42					M6	-		12	1	2	100	3											
KDR 35/6 (10 PCS)	E11KM-02020101402																						17	M8	-				10	0,3			
KDR 35/8 (100 PCS)	E11KM-02020101500																						100	3,1									
KDR 35/8 (10 PCS)	E11KM-02020101502																						10	0,31									
KDR 35/10 (100 PCS)	E11KM-02020101600							3,5			19	M10	√								100	3,1											
KDR 35/10 (10 PCS)	E11KM-02020101602													√							10	0,31											
KDR 35/12 (100 PCS)	E11KM-02020101700										21	M12									100	3,1											
KDR 35/12 (10 PCS)	E11KM-02020101702																				10	0,31											
KDR 35/14 (100 PCS)	E11KM-02020101800							3,0			44	23	M14	-							100	3,1											
KDR 35/14 (10 PCS)	E11KM-02020101802												-								10	0,31											
KDR 35/16 (100 PCS)	E11KM-02020101900							2,5		45	28	M16	-								100	3,3											
KDR 35/16 (10 PCS)	E11KM-02020101902												-								10	0,33											
KDR 50/8 (100 PCS)	E11KM-02020102000	50	10,0	14,5				4,0	28	52	20	M8			14	2	3				100	4,38											
KDR 50/8 (10 PCS)	E11KM-02020102002																												10	0,44			
KDR 50/10 (100 PCS)	E11KM-02020102100													22				M10	√				100	4,7									
KDR 50/10 (10 PCS)	E11KM-02020102102																						10	0,47									
KDR 50/12 (100 PCS)	E11KM-02020102200													24				M12		√			100	4,75									
KDR 50/12 (10 PCS)	E11KM-02020102202																						10	0,48									
KDR 50/14 (100 PCS)	E11KM-02020102300													26				M14	-				100	4,7									
KDR 50/14 (10 PCS)	E11KM-02020102302																		-				10	0,47									
KDR 50/16 (100 PCS)	E11KM-02020102400													28				M16	√				100	4,6									
KDR 50/16 (10 PCS)	E11KM-02020102402																						10	0,46									
KDR 70/8 (100 PCS)	E11KM-02020102500				70	11,5	16,5				4,5	28	55					M8			16	2	3	100	6								
KDR 70/8 (10 PCS)	E11KM-02020102502																															10	0,6
KDR 70/10 (100 PCS)	E11KM-02020102600																									24	M10	√				100	6,3
KDR 70/10 (10 PCS)	E11KM-02020102602																															10	0,63
KDR 70/12 (100 PCS)	E11KM-02020102700														M12					100				6,4									
KDR 70/12 (10 PCS)	E11KM-02020102702																√			10				0,64									
KDR 70/14 (100 PCS)	E11KM-02020102800													26	M14	-				100				6,55									
KDR 70/14 (10 PCS)	E11KM-02020102802							4,0					-				10	0,66															
KDR 70/16 (100 PCS)	E11KM-02020102900										30	M16	√				100	6,2															
KDR 70/16 (10 PCS)	E11KM-02020102902																10	0,62															
KDR 70/20 (100 PCS)	E11KM-02020103000							3,0			34	M20	-				100	6,65															
KDR 70/20 (10 PCS)	E11KM-02020103002												-				10	0,67															
KDR 95/8 (50 PCS)	E11KM-02020103100	95	13,5	19,0				5,0	35	65		M8			18	2	4	50	4,6														
KDR 95/8 (10 PCS)	E11KM-02020103102																												10	0,92			
KDR 95/10 (50 PCS)	E11KM-02020103200													28				M10					50	4,8									
KDR 95/10 (10 PCS)	E11KM-02020103202																						10	0,96									
KDR 95/12 (50 PCS)	E11KM-02020103300																	M12	√				50	4,7									
KDR 95/12 (10 PCS)	E11KM-02020103302																			√			10	0,94									
KDR 95/14 (50 PCS)	E11KM-02020103400													30				M14					50	4,8									
KDR 95/14 (10 PCS)	E11KM-02020103402																						10	0,96									
KDR 95/16 (50 PCS)	E11KM-02020103500													32				M16					50	4,75									
KDR 95/16 (10 PCS)	E11KM-02020103502																						10	0,95									
KDR 95/20 (50 PCS)	E11KM-02020103600										4,0		69	35				M20	-				50	4,75									
KDR 95/20 (10 PCS)	E11KM-02020103602																		-				10	0,95									

Type	Index Ergom	Cross-section, rm/sm [mm ²]	d	D	s	a	E	W	Screw hole	DIN	UL	Socket code no.	Lz/s	Lz/w	Quantity in package [pcs]	Weight [kg]
KDR 120/10 (50 PCS)	E11KM-02020103700	120	15,5	21,0	5,0	35	70	32	M10	-	√	20	2	4	50	5,7
KDR 120/10 (10 PCS)	E11KM-02020103702								M10	-					10	1,14
KDR 120/12 (50 PCS)	E11KM-02020103800								M12	√					50	5,65
KDR 120/12 (10 PCS)	E11KM-02020103802								M12	√					10	1,13
KDR 120/14 (50 PCS)	E11KM-02020103900								M14	-					50	5,75
KDR 120/14 (10 PCS)	E11KM-02020103902								M14	-					10	1,15
KDR 120/16 (50 PCS)	E11KM-02020104000								M16	-					50	5,6
KDR 120/16 (10 PCS)	E11KM-02020104002								M16	√					10	1,12
KDR 120/20 (50 PCS)	E11KM-02020104100								M20	√					50	5,8
KDR 120/20 (10 PCS)	E11KM-02020104102								M20	√					10	1,16
KDR 150/10 (50 PCS)	E11KM-02020104200	150	17,0	23,5	6,0	40	78	34	M10	-	√	22	2	4	50	8,3
KDR 150/10 (10 PCS)	E11KM-02020104202								M10	√					10	1,66
KDR 150/12 (50 PCS)	E11KM-02020104300								M12	-					50	8,1
KDR 150/12 (10 PCS)	E11KM-02020104302								M12	-					10	1,62
KDR 150/14 (50 PCS)	E11KM-02020104400								M14	-					50	8,2
KDR 150/14 (10 PCS)	E11KM-02020104402								M14	-					10	1,64
KDR 150/16 (50 PCS)	E11KM-02020104500								M16	-					50	8
KDR 150/16 (10 PCS)	E11KM-02020104502								M16	√					10	0,8
KDR 150/20 (50 PCS)	E11KM-02020104600								M20	√					50	8,2
KDR 150/20 (10 PCS)	E11KM-02020104602								M20	√					10	1,64
KDR 185/10 (50 PCS)	E11KM-02020104700	185	19,0	25,5	6,0	42	82	37	M10	-	√	25	2	5	50	9,3
KDR 185/10 (10 PCS)	E11KM-02020104702								M10	√					10	1,86
KDR 185/12 (50 PCS)	E11KM-02020104800								M12	-					50	9,3
KDR 185/12 (10 PCS)	E11KM-02020104802								M12	-					10	1,86
KDR 185/14 (50 PCS)	E11KM-02020104900								M14	-					50	9,4
KDR 185/14 (10 PCS)	E11KM-02020104902								M14	-					10	1,88
KDR 185/16 (50 PCS)	E11KM-02020105000								M16	-					50	9,25
KDR 185/16 (10 PCS)	E11KM-02020105002								M16	√					10	1,85
KDR 185/20 (50 PCS)	E11KM-02020105100								M20	√					50	9,3
KDR 185/20 (10 PCS)	E11KM-02020105102								M20	√					10	1,86
KDR 240/10 (50 PCS)	E11KM-02020105200	240	21,5	29,0	6,5	42	92	42	M10	-	√	28	2	-	50	13,8
KDR 240/10 (10 PCS)	E11KM-02020105202								M10	√					10	2,76
KDR 240/12 (50 PCS)	E11KM-02020105300								M12	-					50	13,7
KDR 240/12 (10 PCS)	E11KM-02020105302								M12	-					10	2,74
KDR 240/14 (50 PCS)	E11KM-02020105400								M14	-					50	13,5
KDR 240/14 (10 PCS)	E11KM-02020105402								M14	-					10	2,7
KDR 240/16 (50 PCS)	E11KM-02020105500								M16	-					50	13,6
KDR 240/16 (10 PCS)	E11KM-02020105502								M16	√					10	2,72
KDR 240/20 (50 PCS)	E11KM-02020105600								M20	√					50	13,8
KDR 240/20 (10 PCS)	E11KM-02020105602								M20	√					10	2,76
KDR 300/10 (25 PCS)	E11KM-02020105680	300	24,5	32,0	7,0	52	100	48	M10	√	-	32	2	-	25	8,2
KDR 300/10 (10 PCS)	E11KM-02020105682								M10	√					10	3,28
KDR 300/12 (25 PCS)	E11KM-02020105700								M12	-					25	8,3
KDR 300/12 (10 PCS)	E11KM-02020105702								M12	-					10	3,32
KDR 300/14 (25 PCS)	E11KM-02020105800								M14	-					25	8,5
KDR 300/14 (10 PCS)	E11KM-02020105802								M14	-					10	3,4
KDR 300/16 (25 PCS)	E11KM-02020105900								M16	-					25	8,55
KDR 300/16 (10 PCS)	E11KM-02020105902								M16	√					10	3,42
KDR 300/20 (25 PCS)	E11KM-02020106000								M20	-					25	8,5
KDR 300/20 (10 PCS)	E11KM-02020106002								M20	-					10	3,4
KDR 400/12 (25 PCS)	E11KM-02020106100	400	27,5	38,5	10,0	70	115	55	M12	√	-	38	3	-	25	16,4
KDR 400/12	E11KM-02020106102								M12	√					1	0,66
KDR 400/14 (25 PCS)	E11KM-02020106200								M14	-					25	16,4
KDR 400/14	E11KM-02020106202								M14	-					1	0,66
KDR 400/16 (25 PCS)	E11KM-02020106300								M16	-					25	19,9
KDR 400/16	E11KM-02020106302								M16	√					1	0,8
KDR 400/20 (25 PCS)	E11KM-02020106400								M20	√					25	17
KDR 400/20	E11KM-02020106402								M20	√					1	0,68

Type	Index Ergom	Cross-section, mm ²	d	D	s	a	E	W	Screw hole	DIN	UL	Socket code no.	Lz/s	Lz/w	Quantity in package [pcs]	Weight [kg]											
KDR 500/12 (25 PCS)	E11KM-02020106500	500	31,0	42,0	10,0	70	125	60	M12	√	-	42	3	-	25	19,8											
KDR 500/12	E11KM-02020106502								1	0,8																	
KDR 500/14 (25 PCS)	E11KM-02020106600								M14	-					25	19,8											
KDR 500/14	E11KM-02020106602								1	0,8																	
KDR 500/16 (25 PCS)	E11KM-02020106700								M16	-					25	20,5											
KDR 500/16	E11KM-02020106702								1	0,82																	
KDR 500/20 (25 PCS)	E11KM-02020106800								M20	√					25	20,2											
KDR 500/20	E11KM-02020106802								1	0,81																	
KDR 625/12 (10 PCS)	E11KM-02020106900								625	34,5					44,0	10,0	81	135	63	M12	√	-	44	3	-	10	8,2
KDR 625/12	E11KM-02020106902																			1	0,82						
KDR 625/14 (10 PCS)	E11KM-02020107000	M14	-	10	8,2																						
KDR 625/14	E11KM-02020107002	1	0,82																								
KDR 625/16 (10 PCS)	E11KM-02020107100	M16	-	10	8,2																						
KDR 625/16	E11KM-02020107102	1	0,82																								
KDR 625/20 (10 PCS)	E11KM-02020107200	M20	√	10	8,1																						
KDR 625/20	E11KM-02020107202	1	0,81																								

Lz/s - Number of crimping - wide, Lz/w - Number of crimping - narrow