

Tubular ring terminals, KOR type

FEATURES & BENEFITS

- ring terminal Cu, standard, with galvanic tin plating
- description of cable cross-section and terminal size on fin surface
- popular version for demanding applications
- very wide range

MECHANICAL DATA

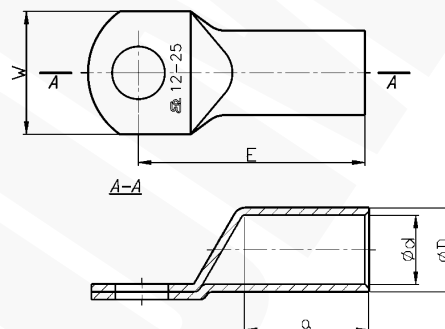
Material	Cu
Covering	tin-plated

CERTIFICATES & STANDARDS

Standards	EN 61238-1: 2004 (Class A)
Technical approval	PRS TE/2241/880567/19
UL certificate	E475284
Design	standard

NOTE!

Sector-shaped conductors (sm) must be rounded with special dies. UL certificate - visit www.ergom.com



Type	Index Ergom	Cross-section, mm ² [mm ²]	d	D	a	E	W	Screw hole	UL	Socket code no.	Lz/s	Lz/w	Quantity in package [pcs]	Weight [kg]
KOR 0,75/3 (100 PCS)	E11KM-01020100150	0,75	1,3	2,8	5,8	12,0	6,0	M3	-	-	-	1	100	0,06
KOR 0,75/4 (100 PCS)	E11KM-01020100250					13,0	6,5	M4						
KOR 0,75/5 (100 PCS)	E11KM-01020100350					14,0	7,5	M5						
KOR 1,5/3 (100 PCS)	E11KM-01020100450	1,5	1,8	3,3	5,8	12,0	6,5	M3	-	-	-	1	100	0,08
KOR 1,5/4 (100 PCS)	E11KM-01020100560					13,0	7,5	M4						0,1
KOR 1,5/5 (100 PCS)	E11KM-01020100660					14,0	7,5	M5						0,09
KOR 1,5/6 (100 PCS)	E11KM-01020100760	2,5	2,3	4,2	5,8	16,0	9,0	M6	-	-	-	1	100	0,1
KOR 2,5/3 (100 PCS)	E11KM-01020100850					12,0	7,5	M3						0,13
KOR 2,5/4 (100 PCS)	E11KM-01020100950					13,0	8,5	M4						0,14
KOR 2,5/5 (100 PCS)	E11KM-01020101050	4	3,0	5,0	7,8	14,0	8,5	M5	-	-	-	1	100	0,16
KOR 2,5/6 (100 PCS)	E11KM-01020101150					16,0	9,5	M6						0,19
KOR 2,5/8 (100 PCS)	E11KM-01020101220					20,0	13,0	M8						0,22
KOR 4/4 (100 PCS)	E11KM-01020101360	6	4,0	6,0	8,7	18,0	8,5	M4	-	-	-	1	100	0,26
KOR 4/5 (100 PCS)	E11KM-01020101450					19,0	9,0	M5						0,28
KOR 4/6 (100 PCS)	E11KM-01020101550					22,0	10,0	M6						0,3
KOR 4/8 (100 PCS)	E11KM-01020101650	6	4,0	6,0	8,7	18,0	9,5	M4	-	4	1	1	100	0,31
KOR 6/4 (100 PCS)	E11KM-01020101760					19,0	10,0	M5						0,35
KOR 6/5 (100 PCS)	E11KM-01020101850					22,0	14,0	M6						0,37
KOR 6/6 (100 PCS)	E11KM-01020101960	6	4,0	6,0	8,7	22,0	14,0	M8	-	4	1	1	100	0,37
KOR 6/8 (100 PCS)	E11KM-01020102060					25,0	16,0	M10						0,4
KOR 6/10 (100 PCS)	E11KM-01020102160					19,0	19,0	M12						

Type	Index Ergom	Cross-section, mm ² [mm ²]	d	D	a	E	W	Screw hole	UL	Socket code no.	Lz/s	Lz/w	Quantity in package [pcs]	Weight [kg]								
KOR 10/5 (100 PCS)	E11KM-01020102300	10	4,5	7,0	10	21,0	12,0	M5	√	7	1	1	100	0,53								
KOR 10/5 (10 PCS)	E11KM-01020102302							10					0,06									
KOR 10/6 (100 PCS)	E11KM-01020102400					21,5	15,0	M6					100	0,52								
KOR 10/6 (10 PCS)	E11KM-01020102402							10					0,06									
KOR 10/8 (100 PCS)	E11KM-01020102500					23,5	15,0	M8					100	0,6								
KOR 10/8 (10 PCS)	E11KM-01020102502							10					0,06									
KOR 10/10 (100 PCS)	E11KM-01020102600					25,5	17,0	M10					100	0,65								
KOR 10/10 (10 PCS)	E11KM-01020102602							10					0,07									
KOR 10/12 (100 PCS)	E11KM-01020102700					26,5	19,0	M12					100	0,64								
KOR 10/12 (10 PCS)	E11KM-01020102702							10					0,07									
KOR 16/5 (100 PCS)	E11KM-01020102800					16	5,5	8,5					13	25,0	12,0	M5	√	8	1	2	100	0,91
KOR 16/5 (10 PCS)	E11KM-01020102802															10					0,1	
KOR 16/6 (100 PCS)	E11KM-01020102900	25,5	15,0	M6	100				0,9													
KOR 16/6 (10 PCS)	E11KM-01020102902			10	0,1																	
KOR 16/8 (100 PCS)	E11KM-01020103000	27,5	14,0	M8	100				0,97													
KOR 16/8 (10 PCS)	E11KM-01020103002			10	0,1																	
KOR 16/8 W (100 PCS)	E11KM-01020103040	29,5	17,0	M10	100				0,97													
KOR 16/10 (100 PCS)	E11KM-01020103100			100	1																	
KOR 16/10 (10 PCS)	E11KM-01020103102	30,5	19,0	M12	10				0,1													
KOR 16/12 (100 PCS)	E11KM-01020103250			100	1,1																	
KOR 16/12 (10 PCS)	E11KM-01020103252	10	0,2																			
KOR 25/5 (100 PCS)	E11KM-01020103300	25	7,0	10,0	15				28,0	14,0	M5	√		10	1	2					100	1,18
KOR 25/5 (10 PCS)	E11KM-01020103302					10	0,2															
KOR 25/6 (100 PCS)	E11KM-01020103400					28,5	16,0	M6	100	1,22												
KOR 25/6 (10 PCS)	E11KM-01020103402							10	0,2													
KOR 25/8 (100 PCS)	E11KM-01020103500					30,5	18,0	M8	100	1,25												
KOR 25/8 (10 PCS)	E11KM-01020103502							10	0,2													
KOR 25/10 (100 PCS)	E11KM-01020103600					32,5	19,0	M10	100	1,3												
KOR 25/10 (10 PCS)	E11KM-01020103602							10	0,2													
KOR 25/12 (100 PCS)	E11KM-01020103700					33,5	21,0	M12	100	1,3												
KOR 25/12 (10 PCS)	E11KM-01020103702							10	0,2													
KOR 25/14 (100 PCS)	E11KM-01020103800					35,5	20,0	M14	100	1,45												
KOR 25/14 (10 PCS)	E11KM-01020103802							10	0,2													
KOR 35/5 (100 PCS)	E11KM-01020103890	35	8,5	12,0	17	31,5	18,0	M5	√	12	1	2	100	1,6								
KOR 35/5 (10 PCS)	E11KM-01020103892							10					0,2									
KOR 35/6 (100 PCS)	E11KM-01020103900					33,5	20,0	M6					100	1,8								
KOR 35/6 (10 PCS)	E11KM-01020103902							10					0,2									
KOR 35/8 (100 PCS)	E11KM-01020104000					35,5	21,0	M8					100	1,94								
KOR 35/8 (10 PCS)	E11KM-01020104002							10					0,2									
KOR 35/10 (100 PCS)	E11KM-01020104100					36,5	22,0	M10					100	2,1								
KOR 35/10 (10 PCS)	E11KM-01020104102							10					0,3									
KOR 35/12 (100 PCS)	E11KM-01020104200					38,5	23,0	M12					100	2,05								
KOR 35/12 (10 PCS)	E11KM-01020104202							10					0,3									
KOR 35/14 (100 PCS)	E11KM-01020104300					39,5	24,0	M14					100	2,2								
KOR 35/14 (10 PCS)	E11KM-01020104302							10					0,3									
KOR 35/16 (100 PCS)	E11KM-01020104400	41,5	25,0	M16	100	2,3																
KOR 35/16 (10 PCS)	E11KM-01020104402			10	0,3																	
KOR 50/6 (100 PCS)	E11KM-01020104500	50	10,0	14,0	19	34,5	20,0	M6	√	14	1	2	100	2,58								
KOR 50/6 (10 PCS)	E11KM-01020104502							10					0,3									
KOR 50/8 (100 PCS)	E11KM-01020104600					36,5	21,0	M8					100	2,8								
KOR 50/8 (10 PCS)	E11KM-01020104602							10					0,3									
KOR 50/10 (100 PCS)	E11KM-01020104700					38,5	22,0	M10					100	3,05								
KOR 50/10 (10 PCS)	E11KM-01020104702							10					0,3									
KOR 50/12 (100 PCS)	E11KM-01020104800					39,5	23,0	M12					100	2,95								
KOR 50/12 (10 PCS)	E11KM-01020104802							10					0,3									
KOR 50/14 (100 PCS)	E11KM-01020104900					41,5	24,0	M14					100	3,2								
KOR 50/14 (10 PCS)	E11KM-01020104902							10					0,4									
KOR 50/16 (100 PCS)	E11KM-01020105000					42,5	25,0	M16					100	3,3								
KOR 50/16 (10 PCS)	E11KM-01020105002							10					0,4									
KOR 50/20 (100 PCS)	E11KM-01020105100	47,0	26,0	M20	100	3,6																
KOR 50/20 (10 PCS)	E11KM-01020105102			10	0,4																	

Type	Index Ergom	Cross-section, r/m/sm [mm²]	d	D	a	E	W	Screw hole	UL	Socket code no.	Lz/s	Lz/w	Quantity in package [pcs]	Weight [kg]								
KOR 70/6 (100 PCS)	E11KM-01020105200	70	12,0	16,5	21	40,5	23,0	M6	√	16	1	2	100	4,25								
KOR 70/6 (10 PCS)	E11KM-01020105202							10					0,5									
KOR 70/8 (100 PCS)	E11KM-01020105300							100					4,2									
KOR 70/8 (10 PCS)	E11KM-01020105302							10					0,5									
KOR 70/10 (100 PCS)	E11KM-01020105400					43,5	28,0	M10					100	4,6								
KOR 70/10 (10 PCS)	E11KM-01020105402												10	0,5								
KOR 70/12 (100 PCS)	E11KM-01020105500					46,5	31,0	M12					100	4,4								
KOR 70/12 (10 PCS)	E11KM-01020105502												10	0,5								
KOR 70/14 (100 PCS)	E11KM-01020105600					46,5	28,0	M14					100	4,9								
KOR 70/14 (10 PCS)	E11KM-01020105602												10	0,5								
KOR 70/16 (100 PCS)	E11KM-01020105700												M16	100	4,7							
KOR 70/16 (10 PCS)	E11KM-01020105702													10	0,5							
KOR 70/20 (100 PCS)	E11KM-01020105800					51,0	31,0	M20					100	5								
KOR 70/20 (10 PCS)	E11KM-01020105802												10	0,5								
KOR 95/8 (50 PCS)	E11KM-01020105900	95	13,5	18,0	24	47,0	26,0	M8	√	17	1	2	50	2,8								
KOR 95/8 (10 PCS)	E11KM-01020105902							10					0,6									
KOR 95/10 (50 PCS)	E11KM-01020106000							M10					50	2,72								
KOR 95/10 (10 PCS)	E11KM-01020106002												10	0,6								
KOR 95/12 (50 PCS)	E11KM-01020106100					M12	50	2,65														
KOR 95/12 (10 PCS)	E11KM-01020106102						10	0,6														
KOR 95/14 (50 PCS)	E11KM-01020106200					50,0	29,0	M14					50	2,85								
KOR 95/14 (10 PCS)	E11KM-01020106202												10	0,6								
KOR 95/16 (50 PCS)	E11KM-01020106300					M16	50	2,85														
KOR 95/16 (10 PCS)	E11KM-01020106302						10	0,6														
KOR 95/20 (50 PCS)	E11KM-01020106400					54,5	35,0	M20					50	3,1								
KOR 95/20 (10 PCS)	E11KM-01020106402												10	0,7								
KOR 120/8 (50 PCS)	E11KM-01020106500					120	15,0	19,5					26	50,0	29,0	M8	√	19	1	2	50	3,3
KOR 120/8 (10 PCS)	E11KM-01020106502															10					0,7	
KOR 120/10 (50 PCS)	E11KM-01020106600	M10	50	3,15																		
KOR 120/10 (10 PCS)	E11KM-01020106602		10	0,7																		
KOR 120/12 (50 PCS)	E11KM-01020106700	M12	50	3,17																		
KOR 120/12 (10 PCS)	E11KM-01020106702		10	0,7																		
KOR 120/14 (50 PCS)	E11KM-01020106800	53,0	35,0	M14	50				3,4													
KOR 120/14 (10 PCS)	E11KM-01020106802				10				0,7													
KOR 120/16 (50 PCS)	E11KM-01020106900	M16	50	3,4																		
KOR 120/16 (10 PCS)	E11KM-01020106902		10	0,7																		
KOR 120/20 (50 PCS)	E11KM-01020107000	57,5	35,0	M20	50				3,5													
KOR 120/20 (10 PCS)	E11KM-01020107002				10				0,8													
KOR 150/8 (50 PCS)	E11KM-01020107100	150	16,5	21,0	29				54,0	31,0	M8	√		20	2	4					50	3,78
KOR 150/8 (10 PCS)	E11KM-01020107102										10										0,8	
KOR 150/10 (50 PCS)	E11KM-01020107200					M10	50	3,73														
KOR 150/10 (10 PCS)	E11KM-01020107202						10	0,8														
KOR 150/12 (50 PCS)	E11KM-01020107300					M12	50	3,55														
KOR 150/12 (10 PCS)	E11KM-01020107302						10	0,8														
KOR 150/14 (50 PCS)	E11KM-01020107400					57,0	35,0	M14	50	3,9												
KOR 150/14 (10 PCS)	E11KM-01020107402								10	0,8												
KOR 150/16 (50 PCS)	E11KM-01020107500					M16	50	3,8														
KOR 150/16 (10 PCS)	E11KM-01020107502						10	0,8														
KOR 150/20 (50 PCS)	E11KM-01020107600					61,5	35,0	M20	50	4,2												
KOR 150/20 (10 PCS)	E11KM-01020107602								10	0,9												
KOR 185/10 (50 PCS)	E11KM-01020107700					185	19,0	24,0	30	56,5	35,0		M10				√	23	2	4	50	4,92
KOR 185/10 (10 PCS)	E11KM-01020107702												10								1	
KOR 185/12 (50 PCS)	E11KM-01020107800	M12	50	4,82																		
KOR 185/12 (10 PCS)	E11KM-01020107802		10	1																		
KOR 185/14 (50 PCS)	E11KM-01020107900	59,5	38,0	M14	50					5,35												
KOR 185/14 (10 PCS)	E11KM-01020107902				10					1,1												
KOR 185/16 (50 PCS)	E11KM-01020108000	M16	50	5,11																		
KOR 185/16 (10 PCS)	E11KM-01020108002		10	1,1																		
KOR 185/20 (50 PCS)	E11KM-01020108100	64,0	38,0	M20	50					5,5												
KOR 185/20 (10 PCS)	E11KM-01020108102				10					1,2												

Type	Index Ergom	Cross-section, r _m /s _m [mm ²]	d	D	a	E	W	Screw hole	UL	Socket code no.	Lz/s	Lz/w	Quantity in package [pcs]	Weight [kg]										
KOR 240/10 (50 PCS)	E11KM-01020108200	240	21,0	26,0	38	73,5	38,0	M10	√	25	2	4	50	7,3										
KOR 240/10 (10 PCS)	E11KM-01020108202							10					1,5											
KOR 240/12 (50 PCS)	E11KM-01020108300							M12					50	7,3										
KOR 240/12 (10 PCS)	E11KM-01020108302							10					1,5											
KOR 240/14 (50 PCS)	E11KM-01020108400							M14					50	7,2										
KOR 240/14 (10 PCS)	E11KM-01020108402							10					1,5											
KOR 240/16 (50 PCS)	E11KM-01020108500							M16					50	7,1										
KOR 240/16 (10 PCS)	E11KM-01020108502							10					1,5											
KOR 240/20 (50 PCS)	E11KM-01020108600							M20					50	7										
KOR 240/20 (10 PCS)	E11KM-01020108602							10					1,5											
KOR 300/10 (25 PCS)	E11KM-01020108700							300					24,0	30,0	45	82,5	43,0	M10	-	28	2	-	25	5,7
KOR 300/10 (10 PCS)	E11KM-01020108702																	10					2,3	
KOR 300/12 (25 PCS)	E11KM-01020108800	M12	25	5,5																				
KOR 300/12 (10 PCS)	E11KM-01020108802	10	2,3																					
KOR 300/14 (25 PCS)	E11KM-01020108900	M14	25	5,55																				
KOR 300/14 (10 PCS)	E11KM-01020108902	10	2,3																					
KOR 300/16 (25 PCS)	E11KM-01020109000	M16	25	5,5																				
KOR 300/16 (10 PCS)	E11KM-01020109002	10	2,3																					
KOR 300/20 (25 PCS)	E11KM-01020109100	M20	25	5,2																				
KOR 300/20 (10 PCS)	E11KM-01020109102	10	2,1																					
KOR 400/12	E11KM-01020109202	400	27,5	33,5	50	90,0	49,0		M12	-	32	2						-					1	0,3
KOR 400/16	E11KM-01020109402								M16															
KOR 400/20	E11KM-01020109502							M20																
KOR 500/12	E11KM-01020109602	500	31,0	38,0	70	112,5	55,0	M12	-	36	3	-	1	0,5										
KOR 500/14	E11KM-01020109702							M14																
KOR 500/16	E11KM-01020109802							M16																
KOR 500/20	E11KM-01020109902							M20																
KOR 625/12	E11KM-01020110002	625	34,0	40,0	70	114,0	60	M12	-	42	3	-	1	0,5										
KOR 625/16	E11KM-01020110202							M16																
KOR 625/20	E11KM-01020110302							M20																

Lz/s - Number of crimping - wide, Lz/w - Number of crimping - narrow