

# MUNDIAL

## INDUSTRIAL PLUGS AND SOCKETS

Description: IP66-IP67 WALL SOCKET 3P+N+E 380V 63A 6H

Reference:

**03873**

### Characteristics:

<b>Product type:</b>	Low voltage wall socket
<b>Current:</b>	63A
<b>Poles:</b>	3P+N+E
<b>Voltage:</b>	200/346 - 240/415 V
<b>Frecuency(Hz):</b>	-
<b>Time code:</b>	6
<b>Colour:</b>	RED
<b>Weight (Kg):</b>	1,00
<b>Materials:</b>	Halogen-free plastic materials. Plastic parts: polyamide 6. Contacts: copper-zinc alloy
<b>Packaging units:</b>	2

### Technical data:

<b>Degree of protection:</b>	IP66-IP67
<b>Resistance to impact:</b>	IK08
<b>Glow wire resistance:</b>	960 °C
<b>Ball pressure test:</b>	125 °C
<b>Ambient temperature range:</b>	-25 °C / +40 °C

### Certifications and norms:

<b>Directive:</b>	2014/35/EU
<b>Standards:</b>	UNE-EN 60309-1-2
<b>Certificates:</b>	



### Codes:

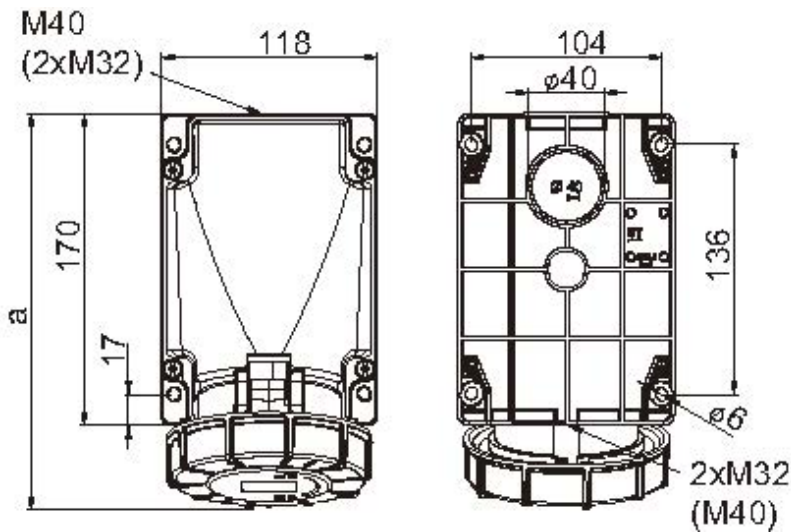
<b>EAN:</b>	8431044038735
<b>Customs tariff number:</b>	85.36.69.90
<b>ETIM 8.0:</b>	EC001321

# MUNDIAL

## INDUSTRIAL PLUGS AND SOCKETS

Description: IP66-IP67 WALL SOCKET 3P+N+E 380V 63A 6H

Reference: 03873



### Dimensions:

I	Poles	Dimensions												
		A	B	C	D	E	F	G	H	I	J	K	L	M
16 A	2P+E	100	117	10	88	90	53.6	76.6	40	87	69	8	5	M25x1.5
	3P+E	100	117	10	88	95	53.6	76.6	40	87	77	8	5	M25x1.5
	3P+N+E	118	135	10	99	108	71.6	76.6	43	101	89	8	5	M25x1.5
32A	2P+E	118	140	10	99	108	71.6	90.6	43	101	89	8	5	M25x1.5
	3P+E	118	140	10	99	108	71.6	90.6	43	101	89	8	5	M25x1.5
	3P+N+E	118	140	10	99	111	71.6	90.6	43	101	98	8	5	M25x1.5
63 A	2P+E	170	213	-	-	173	104	-	136	118	-	-	6	M40+2xM32
	3P+E	170	213	-	-	173	104	-	136	118	-	-	6	M40+2xM32
	3P+N+E	170	213	-	-	173	104	-	136	118	-	-	6	M40+2xM32
125A	2P+E	262	322	-	-	205	140	-	240	162	-	-	8	M63+2xM40
	3P+E	262	322	-	-	205	140	-	240	162	-	-	8	M63+2xM40
	3P+N+E	262	322	-	-	205	140	-	240	162	-	-	8	M63+2xM40

### Sustainability:

RoHS - REACH

### Product end of life stage:

Product concerned in the WEEE regulations.

### Supply:

Supplied in a single box per packaging multiple