

# THERMAL MANAGEMENT

## VENTILATION

IP54 AC Filter fan (92-107 m<sup>3</sup>/h)

Reference:  
**VF92AC**

### Technical data:

<b>Voltage:</b>	230 V 50-60 Hz
<b>Air flow with filter:</b>	92-107 m <sup>3</sup> /h
<b>Protection rating:</b>	IP54
<b>Operating temperature:</b>	-20 °C / +65 °C
<b>Service (at 40 °C):</b>	50.000 h
<b>Relative humidity range:</b>	0-95%
<b>Filtration efficiency:</b>	Up to 73%



<b>Noise level:</b>	31-34 dB
<b>Static pressure:</b>	32-39 Pa
<b>Direction of flow:</b>	From exterior to interior
<b>Reversible:</b>	Yes
<b>Electrical connection:</b>	Terminal
<b>Current consumption:</b>	0,12-0,10 A
<b>Energy consumption:</b>	19-14 W
<b>Protection rating:</b>	Impedance

### Specifications:

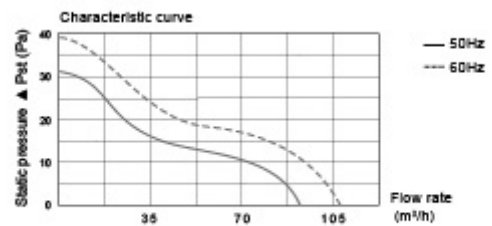
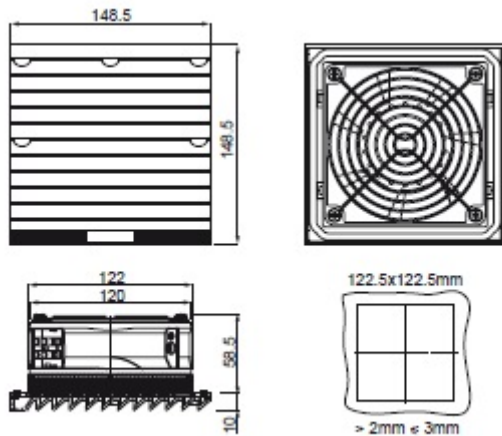
<b>Dimensions:</b>	148,5x148,5x68,5 mm
<b>Thickness of the cabinet wall:</b>	2-3 mm
<b>Cut-off dimensions:</b>	124x124 mm
<b>Colour:</b>	RAL 7035
<b>Material:</b>	UL94 V0 ABS. Grille with UV protection.
<b>Filter material:</b>	Nylon fibre 150 gm <sup>3</sup>
<b>Bearing:</b>	Ball bearing
<b>Seal:</b>	Autoadhesive polyurethane
<b>Weight:</b>	0,70 kg
<b>Assembly:</b>	Quick-connect clip

# THERMAL MANAGEMENT

## VENTILATION

IP54 AC Filter fan (92-107 m<sup>3</sup>/h)

Reference:  
**VF92AC**



### Codes:

**EAN:** 8431044250175  
**Customs tariff number:** 85.38.10.00  
**ETIM 8.0:** EC000320

### Product end of life:

Product affected by the WEEE Regulation.

### Supply:

Supplied in individual cardboard packaging.

### Certificates and standards:

**Certificates:** CE, ROHS

