

NASHI S 3PLED C434 TEST • 1021448



Product:	Nashi S 3PLED C434 TEST
Order code:	1021448
Family:	Nashi S LED
Product group:	Emergency lighting

GENERAL DATA

Description:	Surface mounted double-sided LED emergency exit sign Light distribution type: omnidirectional Optical system: clear PMMA diffuser Housing: polycarbonate Colour: white Battery charging time: 24 hours Battery: NiCd, deep discharge protection Recognition distance: 25 meters
Installation:	On the ceiling, wall or suspended (suspension kit to be ordered separately). Screw terminal, 3x2x2.5mm ²
Environment	Indoor
Application	emergency exit sign

ELECTRICAL DATA

Mains voltage:	220-240V, 50/60Hz	System power*, W:	1
Power factor:	>0,60	Control gear:	ECG on/off
Illumination mode:	M/NM	Emergency operating time, h:	3
Connection:	Screw terminal, 3x2x2.5mm ²		

LIGHTING DATA

Light source and cap, W:	LED	Light source included:	yes
CRI (Ra):	80+	CCT, K:	6500
SDCM:	3	Light Distribution:	Other
Distribution Type:	Omnidirectional	LED lifetime, h:	50000/L80B50

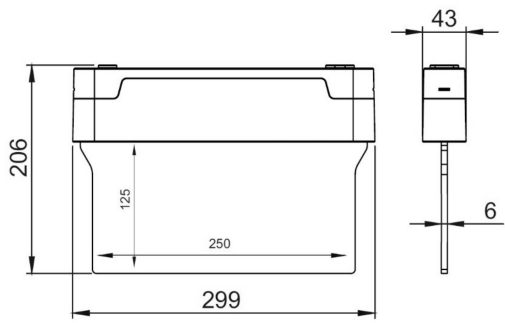
TECHNICAL DATA

Net weight, kg:	1.2	Quantity in package, pcs:	1
Packaging volume, m³/pcs:	0.0027809691	Pallet quantity, pcs:	1080

STANDARDS

Operating temperature range, °C:	ta 0...+40	Protection class IEC:	II
Ingress protection code:	IP44	Mechanical impact resistance:	IK02
Certificates:	CE, RoHS	Warranty:	2 years

Technical drawing (.jpg)



Note:

*: M-maintained (with an option of connecting as non-maintained), NM- non-maintained, system power and output indicates data in emergency mode, tolerance range for optical and electrical data: $\pm 10\%$, values apply to an ambient temperature of 25°C

Date of issue: 2021-05-26 ■ NORTHCLIFFE LIGHTING, UAB ■ Raudondvario pl. 101, LT-47184 Kaunas, Lithuania ■ info@northcliffe.org ■ www.northcliffe.org