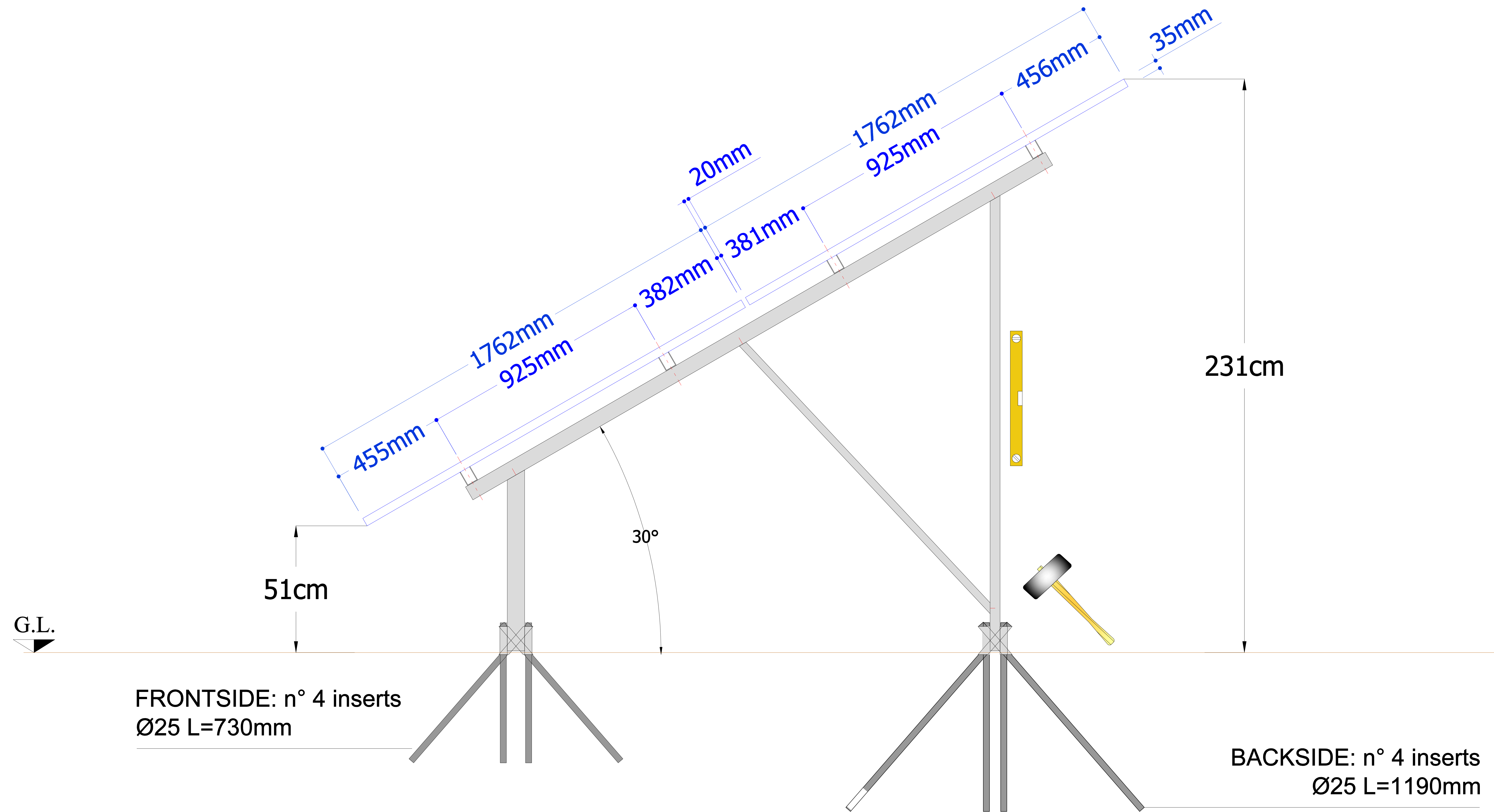


660 PV modules 410Wp → 270,6kWp
 Dimension: 1762 x 1134 x 30 mm

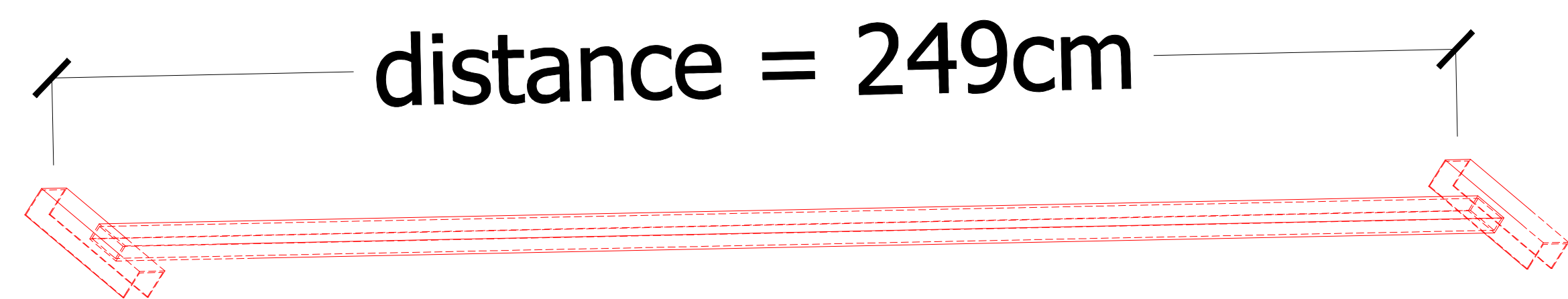


Driving-in the inserts to the ground through guides placed at the base of the frames, using a jack-hammer with SDS-MAX tool tip or a common hammer, only when all the structure is installed and it has checked that the spirit level giving the transverse orientation of the structure indicates the horizontal.

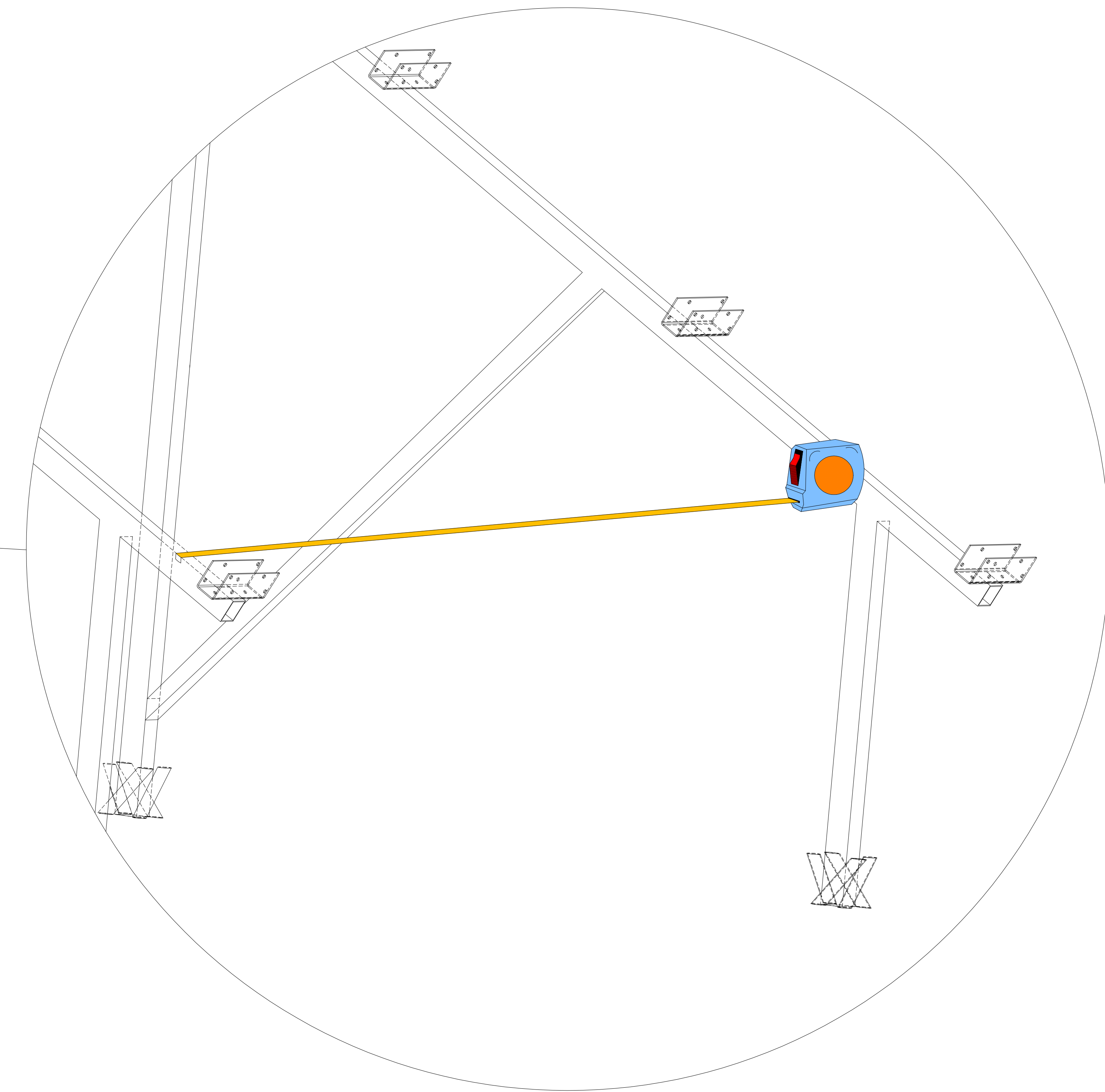
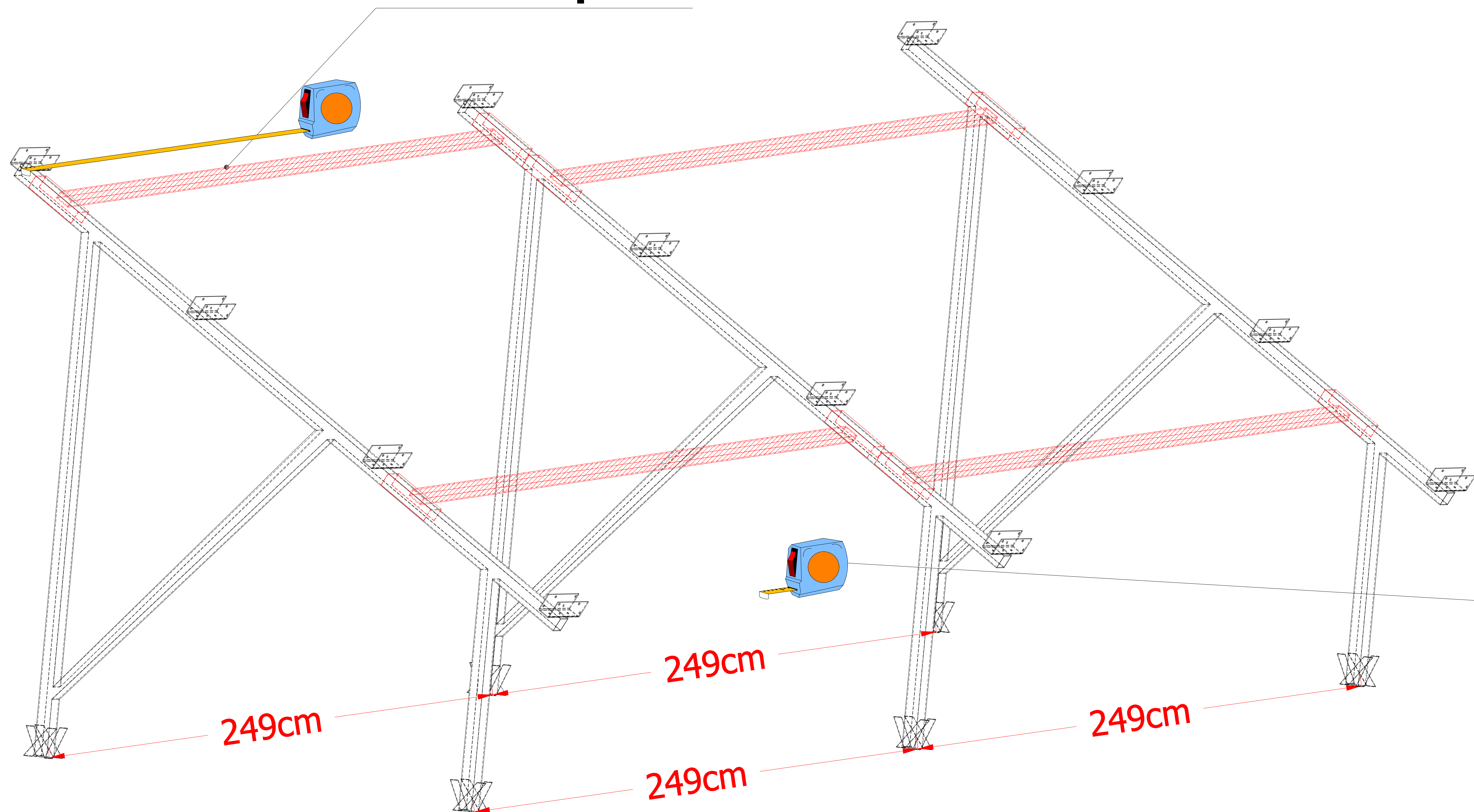
	NAME	DATE			
DRAWN	M.M.	21/02/2023	Helso Klaipeda_270,60kW		
CHECKED					
			TITLE "Tree System" Anchoring.		
			SIZE	DWG N°: 1	REV
			SCALE:	WEIGHT:	SHEET



TreeSystem s.r.l.
 Via Moraro n°22, 35020, Pozzonovo (PD)
 Tel/fax +390429773082




Spacer

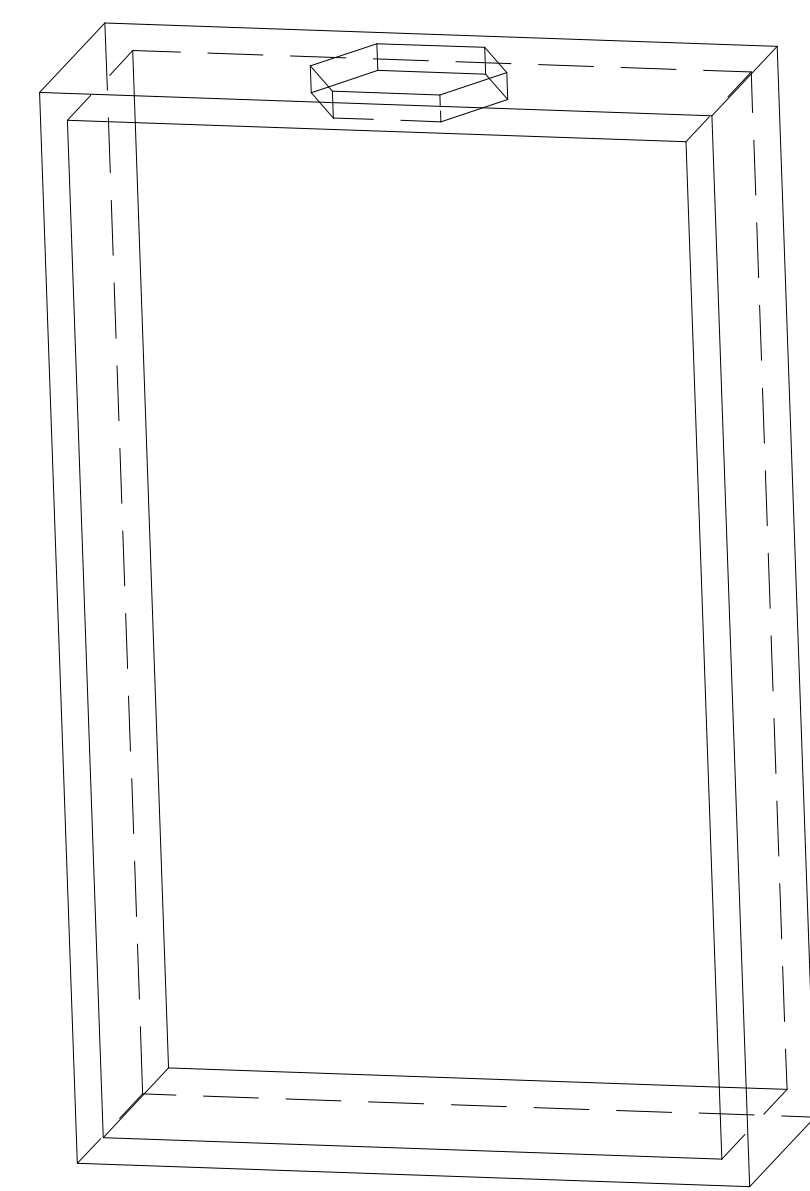


To find the exact spacing between the frames (**249cm or see next**) you can use the spacers placed one in the front side and one on the back side. For spacing different from those it's recommended to use two tape-measures placed one on the front side and one on the back.

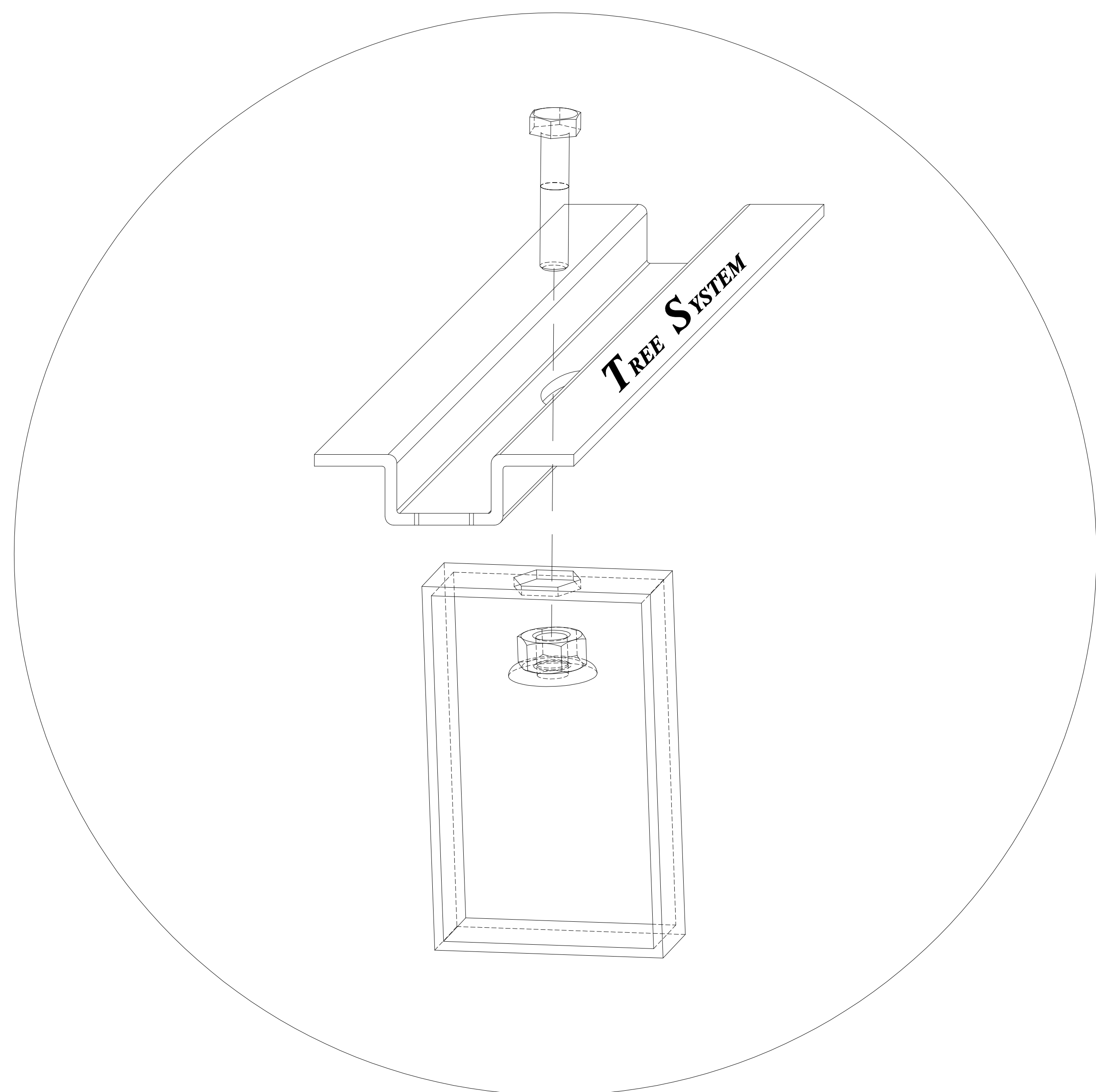
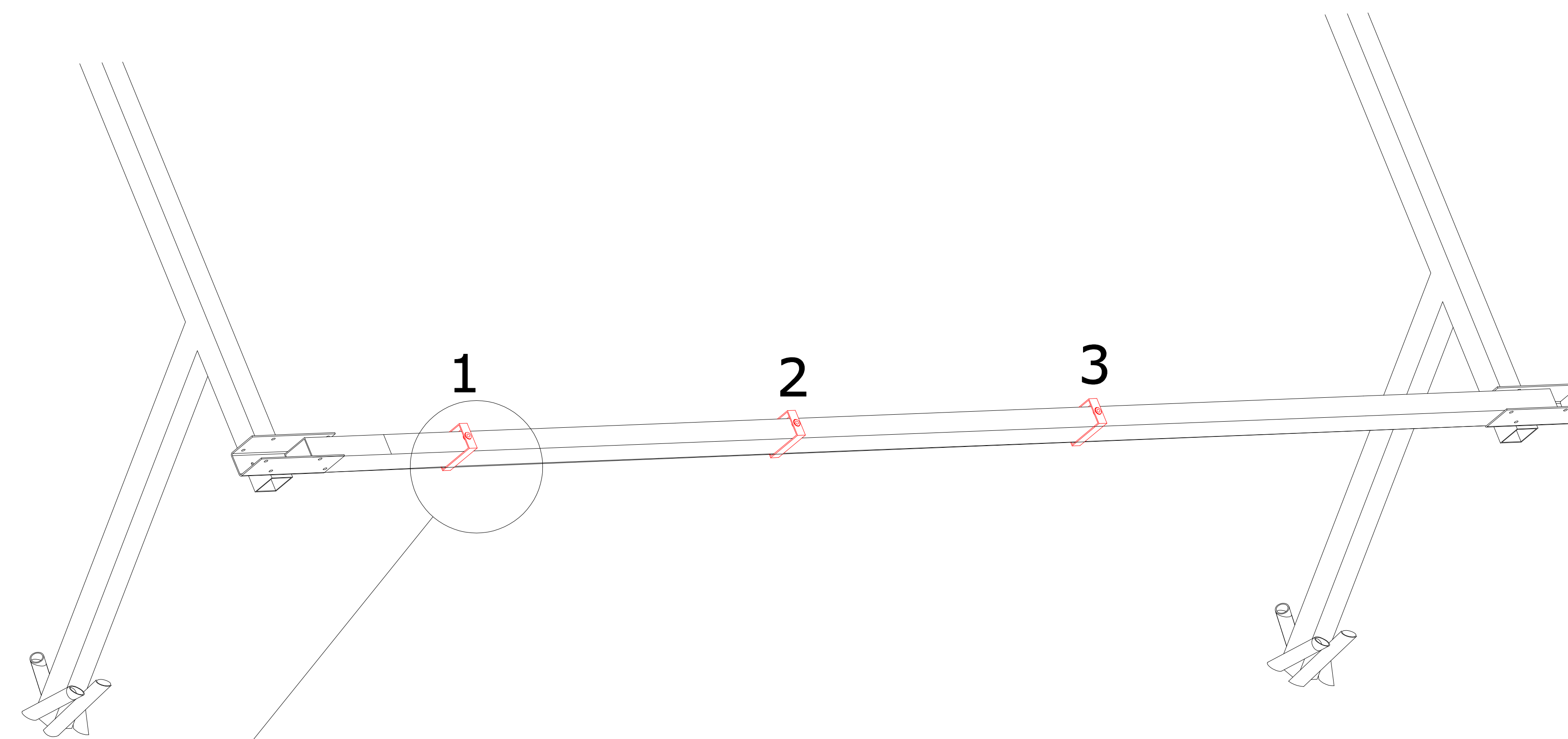
To plot the alignment of each rack, just place a picket at the beginning and at the end of each one, positioned on the back side of the frame (at the bottom of the back pillar) and pull a builder line that will determine the correct alignment.

	NAME	DATE	Helso Klaipeda_270,60kW		
DRAWN	M.M.	21/02/2023			
CHECKED			TITLE Spacing between the frameworks.		
 TreeSystem s.r.l. Via Moraro n°22, 35020, Pozzonovo (PD) Tel/fax +390429773082			SIZE	DWG N°:	REV
			SCALE:	WEIGHT:	SHEET

2



Collar



The "collars" to fix the modules must be inserted before fixing the horizontal beams to the frames: you have to insert **no. 2/3** collars for each span, while for the cantilevers it's sufficient **1** collar, as shown below.

		NAME	DATE		
DRAWN		M.M.	21/02/2023	Helso Klaipeda_270,60kW	
CHECKED					
				TITLE Insertion collars to fasten PV modules.	
			SIZE	DWG N°: 3	REV
SCALE:		WEIGHT:		SHEET	



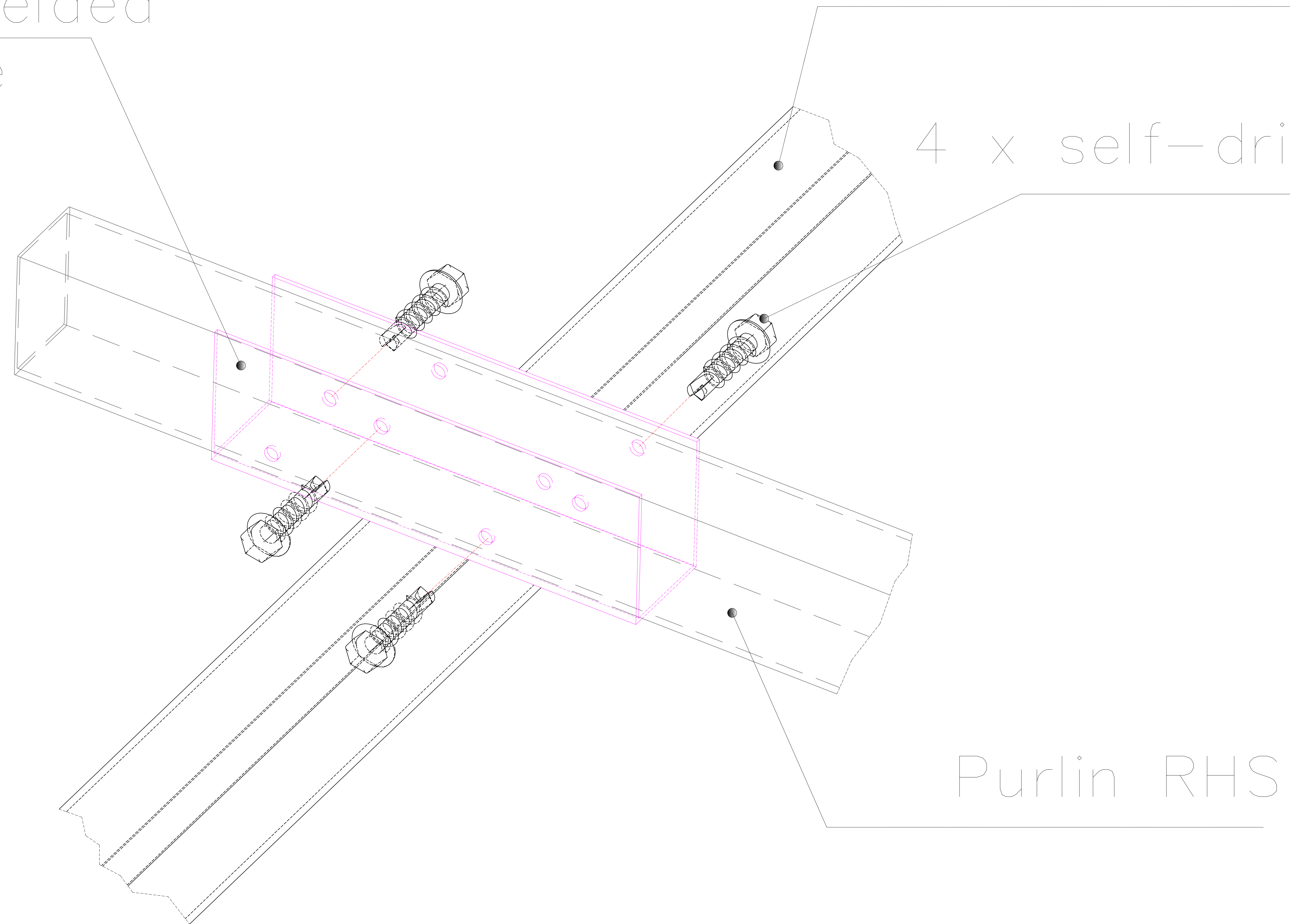
TreeSystem s.r.l.
Via Moraro n°22, 35020, Pozzonovo (PD)
Tel/fax +390429773082

DETAIL "A": INITIAL POSITIONS

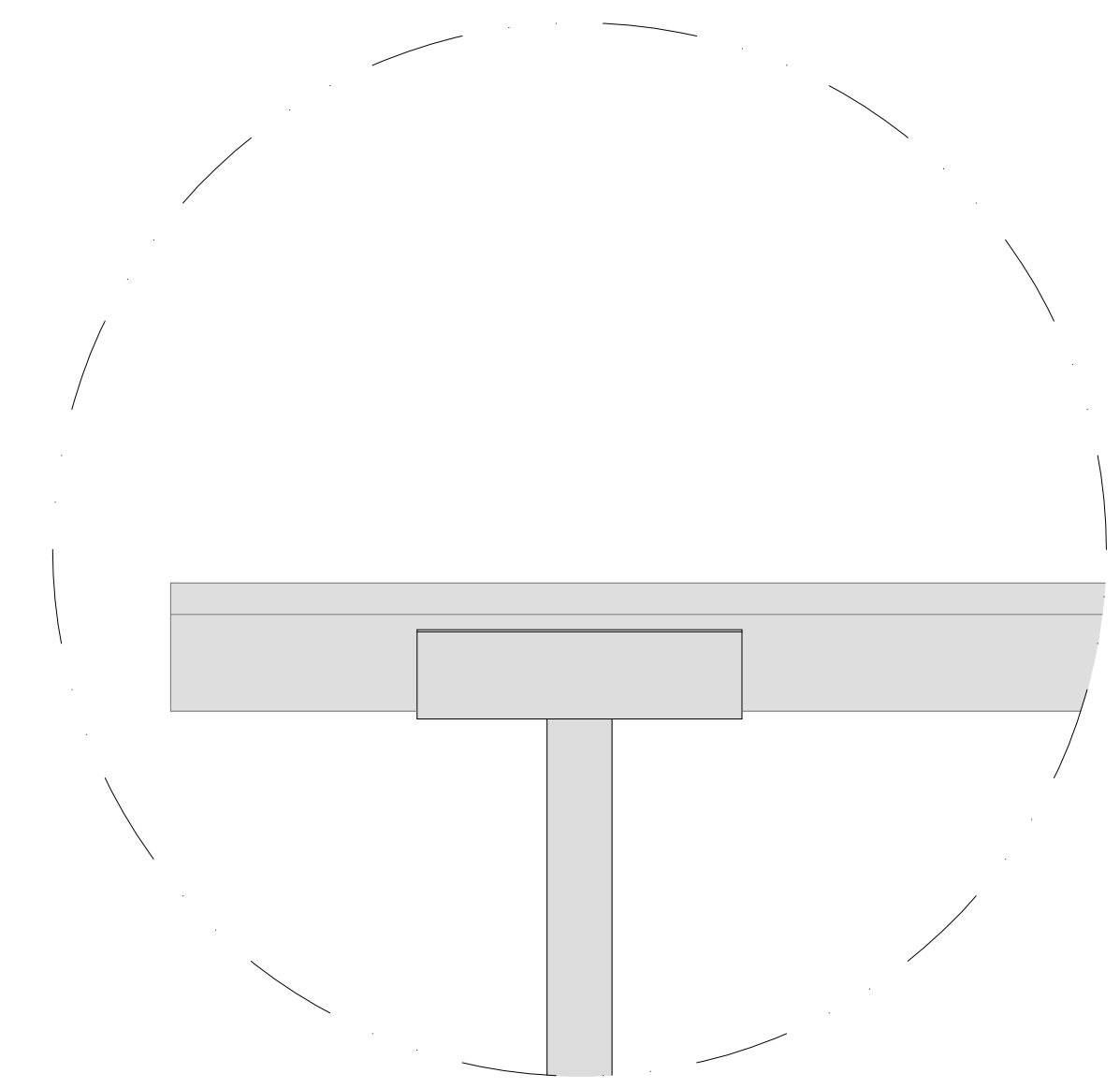
"U" profile welded to the frame

Frame RHS

4 x self-drilling screws



A



Purlin RHS

PERMITTED TIGHTENING TORQUE OF MAX 7-8 Nm.



NAME	DATE	Helso Klaipeda_270,60kW	
DRAWN	M.M.	21/02/2023	
CHECKED			
		TITLE Fastening horizontal profiles to the frames.	
SIZE	DWG N°:	4	REV
SCALE:	WEIGHT:	SHEET	



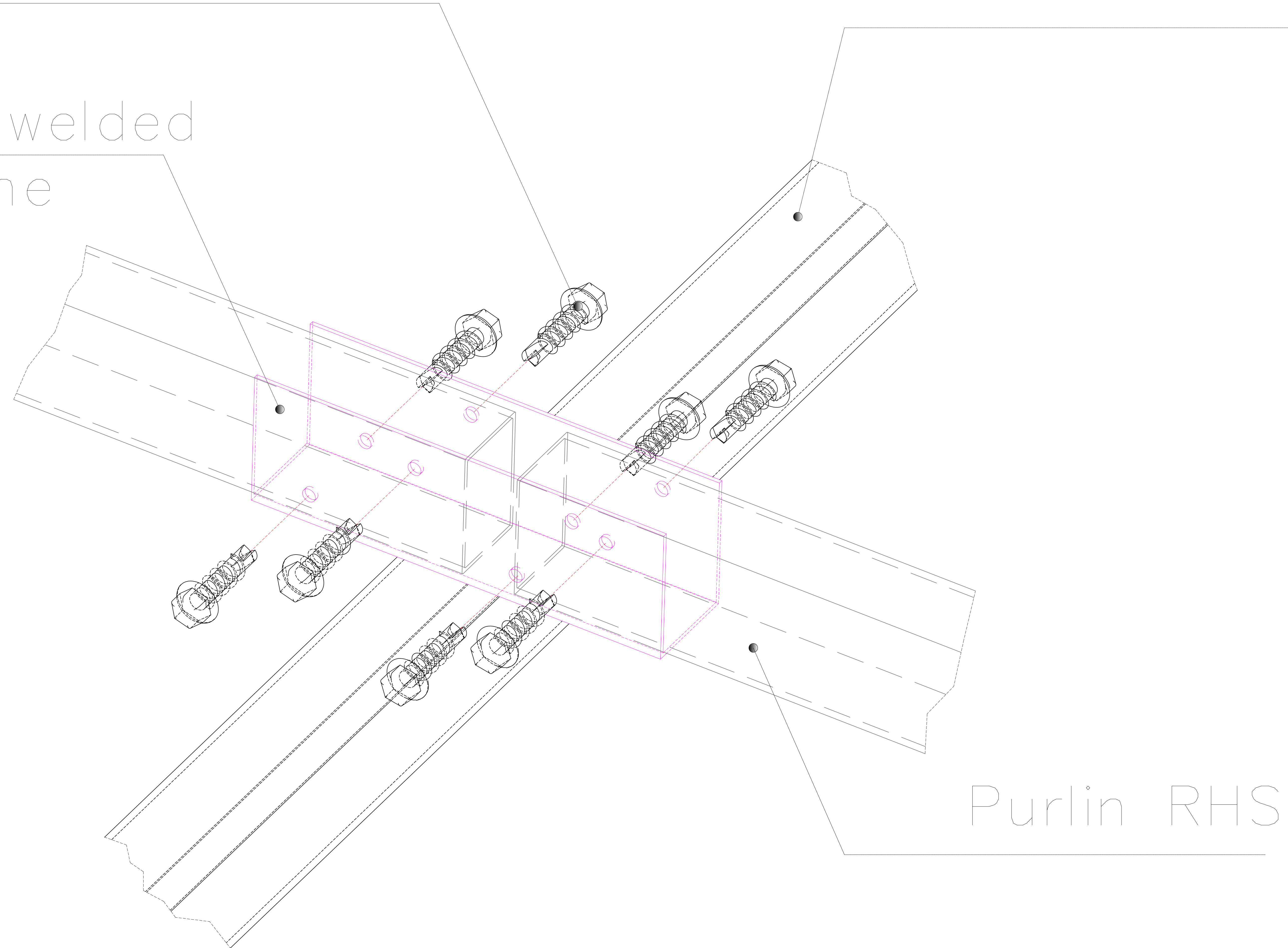
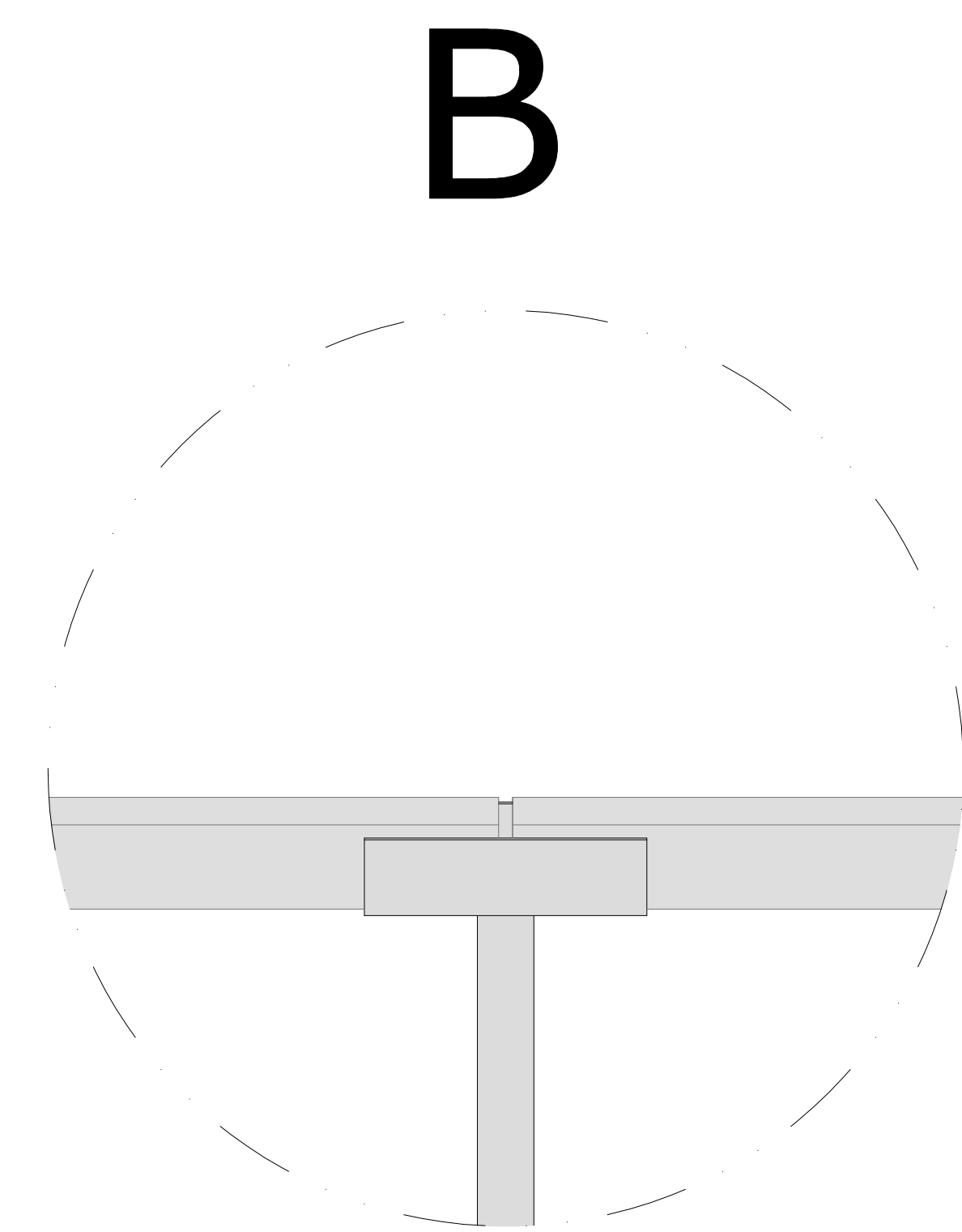
TreeSystem s.r.l.
Via Moraro n°22, 35020, Pozzonovo (PD)
Tel/fax +390429773082

DETAIL "B": TÊTE-à-TÊTE POSITIONS

8 x self-drilling screws

Frame RHS

"U" profile welded to the frame



Purlin RHS

PERMITTED TIGHTENING TORQUE OF MAX 7-8 Nm.



	NAME	DATE		
DRAWN	M.M.	21/02/2023	Helso Klaipeda_270,60kW	
CHECKED				
			TITLE Fastening horizontal profiles to the frames.	
SIZE	DWG N°:	5	REV	
SCALE:	WEIGHT:	SHEET		

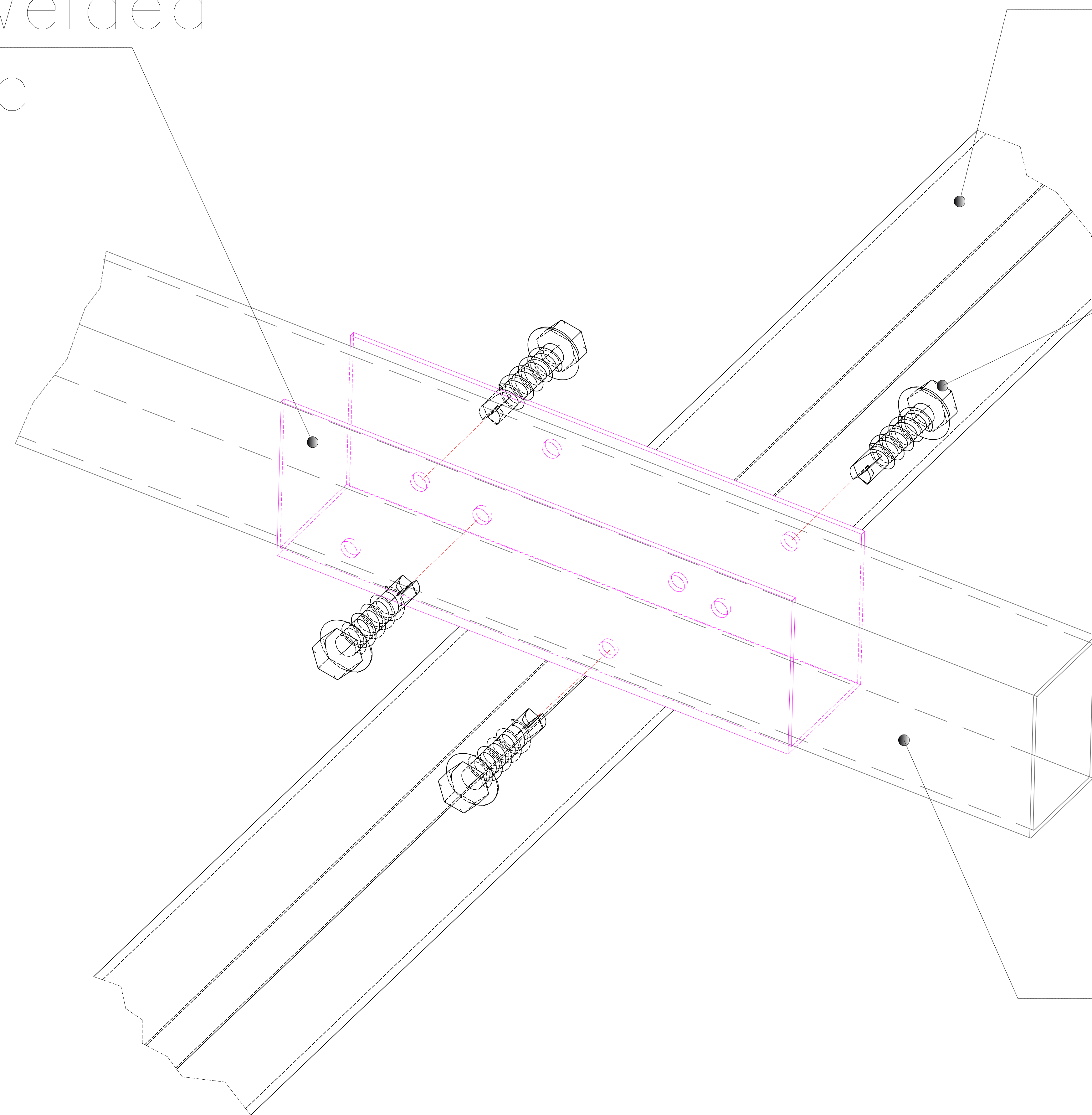
TREE SYSTEM
TreeSystem s.r.l.
 Via Moraro n°22, 35020, Pozzonovo (PD)
 Tel/fax +390429773082

DETAIL "C": FINAL POSITIONS

"U" profile welded to the frame

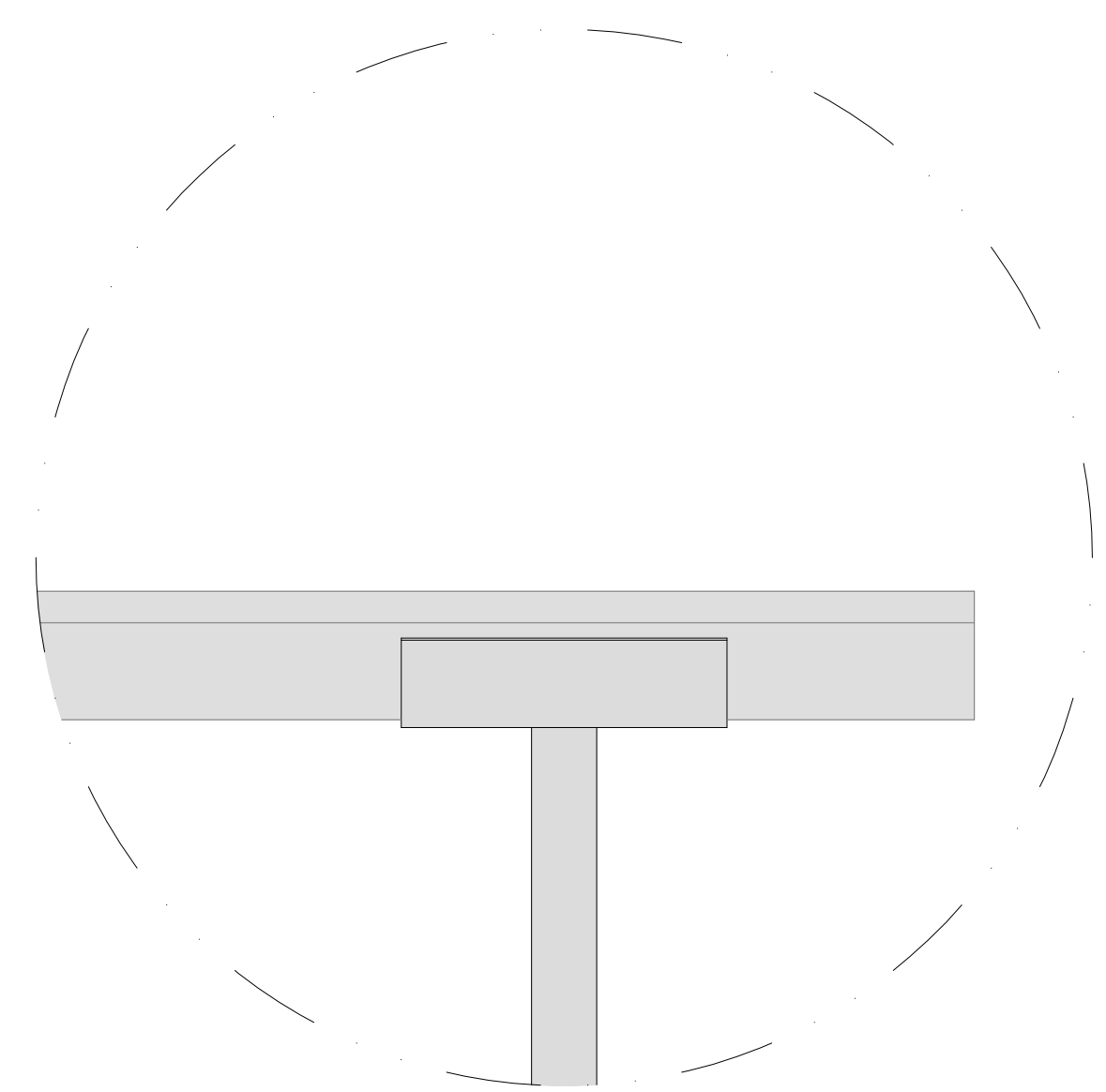
Frame RHS

4 x self-drilling screws



Purlin RHS

C



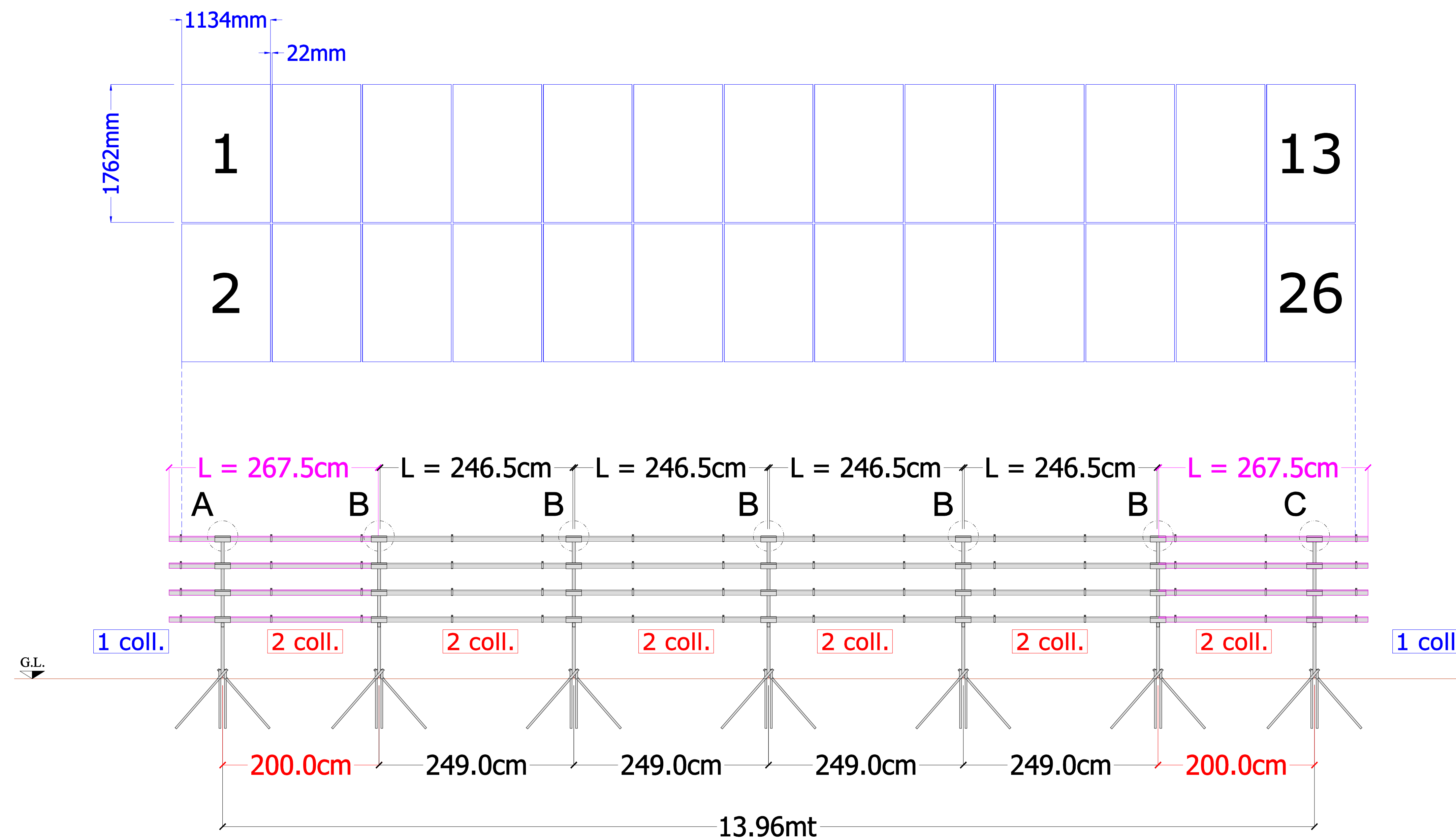
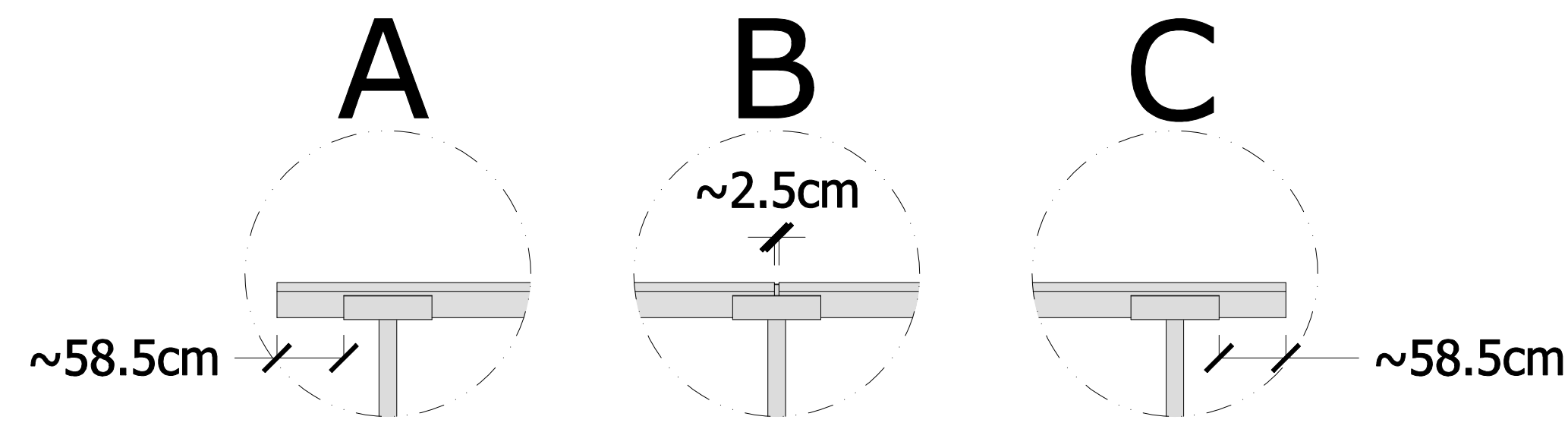
PERMITTED TIGHTENING TORQUE OF MAX 7-8 Nm.



NAME	DATE	Helso Klaipeda_270,60kW	
DRAWN	M.M.	21/02/2023	
CHECKED			
		TITLE Fastening horizontal profiles to the frames.	
SIZE	DWG N°:	6	REV
SCALE:	WEIGHT:	SHEET	



TreeSystem s.r.l.
Via Moraro n°22, 35020, Pozzonovo (PD)
Tel/fax +390429773082




Tipology of rack: **13+13** Number of racks: **20**

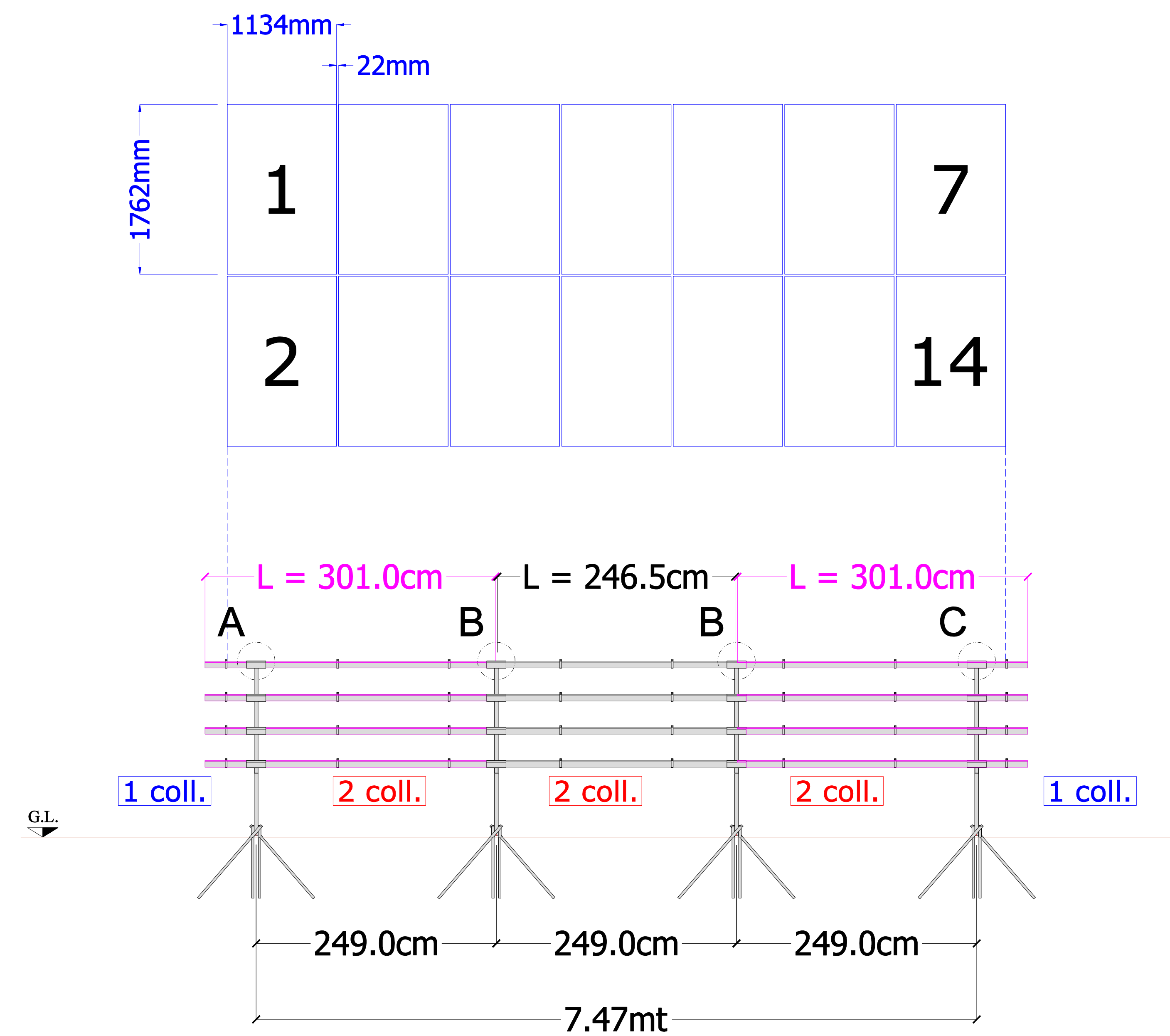
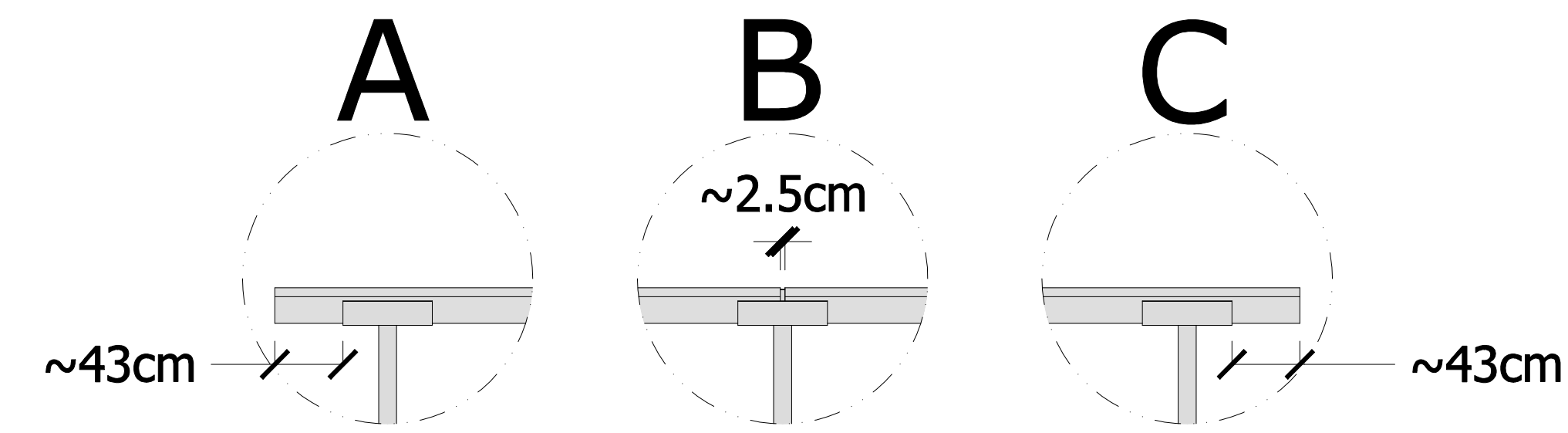
For each rack, it is required:

- 7 FRAMEWORKS 30°;
- 8 PURLINS L=267,5cm;
- 16 PURLINS L=246,5cm;
- 56 COLLARS.

DO NOT CUT THE HORIZONTAL PROFILES FOR ANY REASONS, SINCE THEY ARE ALREADY CUT ON SIZE.

	NAME	DATE	Helso Klaipeda_270,60kW		
DRAWN	M.M.	21/02/2023			
CHECKED			TITLE Layout Racks.		
 TreeSystem s.r.l. Via Moraro n°22, 35020, Pozzonovo (PD) Tel/fax +390429773082			SIZE	DWG N°:	REV
			SCALE:	WEIGHT:	SHEET

7




Tipology of rack: **7+7** Number of racks: **10**

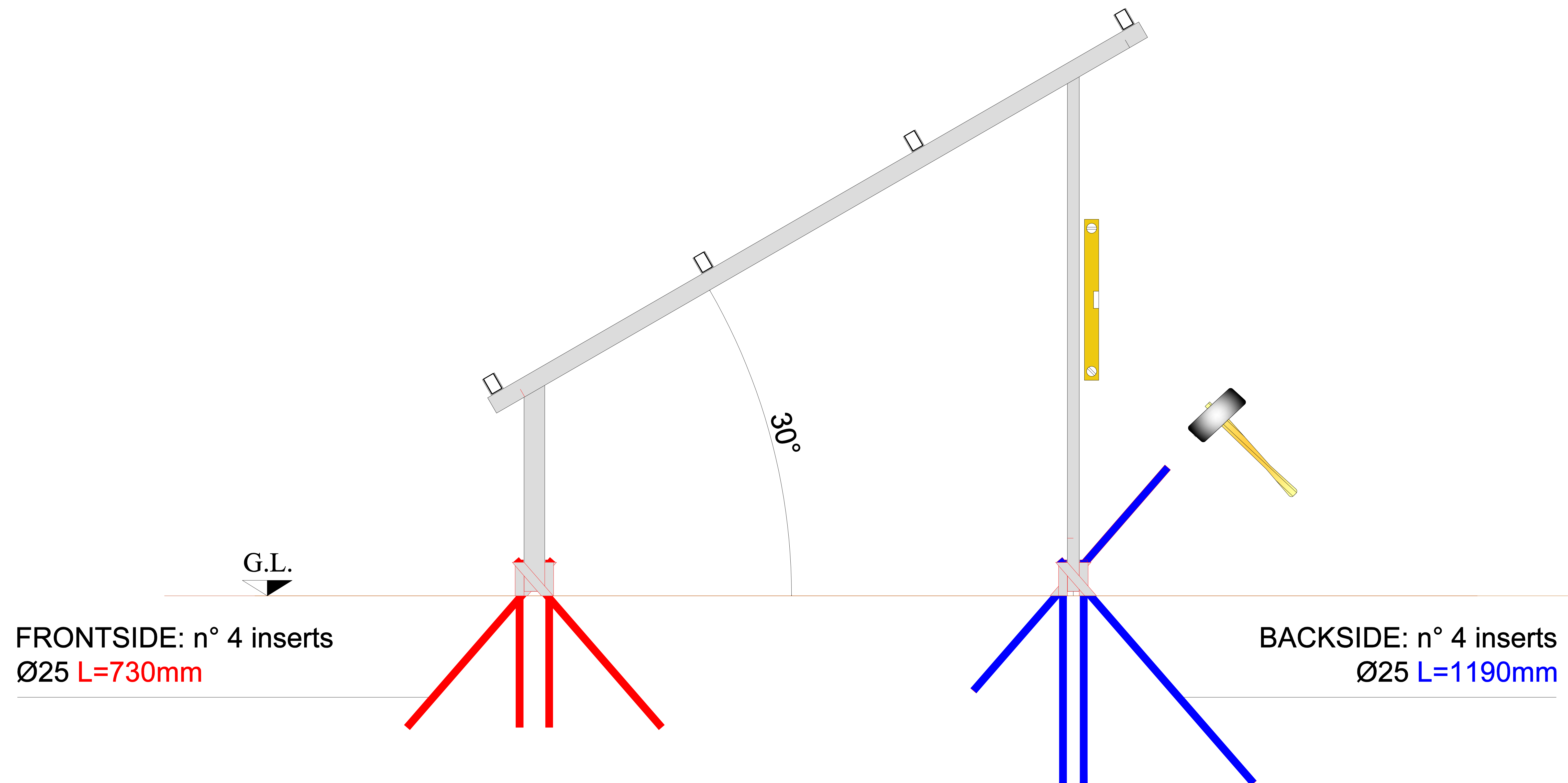
For each rack, it is required:

- 4 FRAMEWORKS 30°;
- 8 PURLINS L=301cm;
- 4 PURLINS L=246,5cm;
- 32 COLLARS.

DO NOT CUT THE HORIZONTAL PROFILES FOR ANY REASONS, SINCE THEY ARE ALREADY CUT ON SIZE.

	NAME	DATE	Helso Klaipeda_270,60kW		
DRAWN	M.M.	21/02/2023			TITLE Layout Racks.
CHECKED			SIZE	DWG N°: 8	
 TreeSystem s.r.l. Via Moraro n°22, 35020, Pozzonovo (PD) Tel/fax +390429773082			SCALE:	WEIGHT:	SHEET

PAY ATTENTION TO THE
DIFFERENT LENGTH OF THE
INSERTS.



Driving-in the inserts to the ground through guides placed at the base of the frames, using a jack-hammer with SDS-MAX attack for tool, only when all the structure is installed and it has checked that the spirit level giving the transverse orientation of the structure indicates the horizontal.

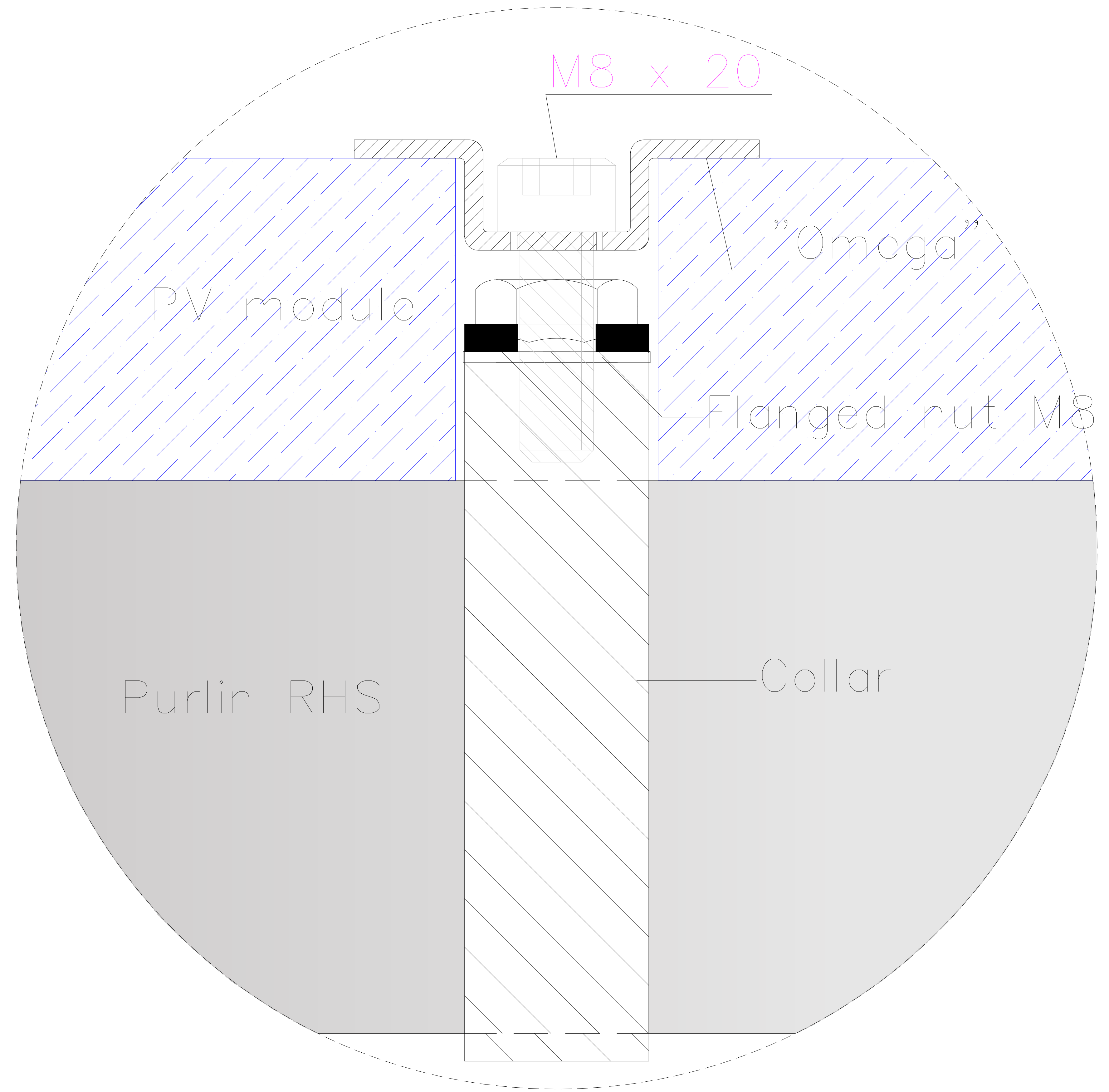
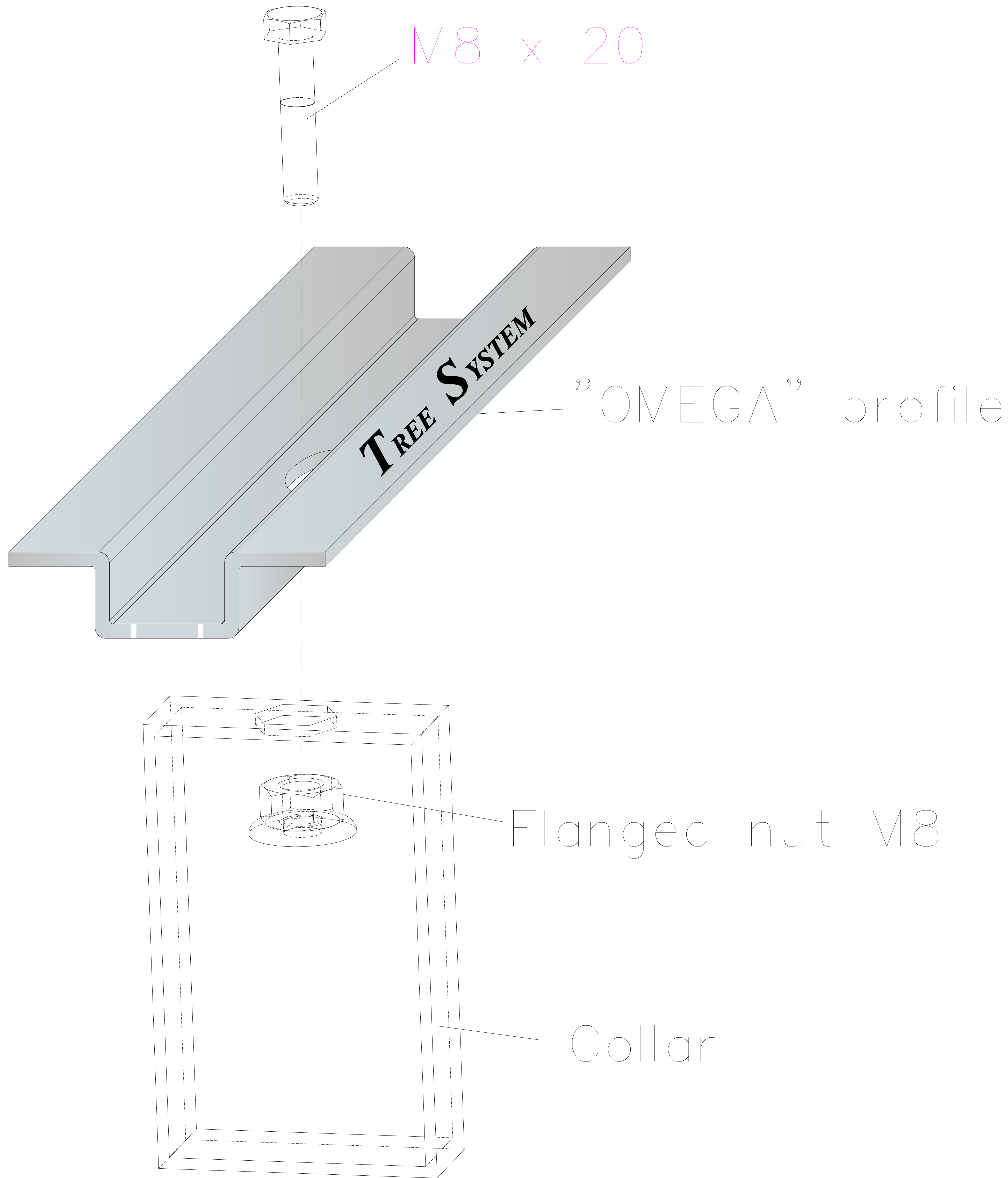
IN CASE OF DAMAGING OF THE COATING DURING THE INSTALLATION, BE CAREFUL TO REPAIR IT PROMPTLY.

	NAME	DATE		
DRAWN	M.M.	21/02/2023	Helso Klaipeda_270,60kW	
CHECKED				
			TITLE Anchoring the structure to the ground.	
SIZE	DWG N°: 9		REV	
SCALE:	WEIGHT:	SHEET		



TreeSystem s.r.l.
Via Moraro n°22, 35020, Pozzonovo (PD)
Tel/fax +390429773082

DETAIL "D"



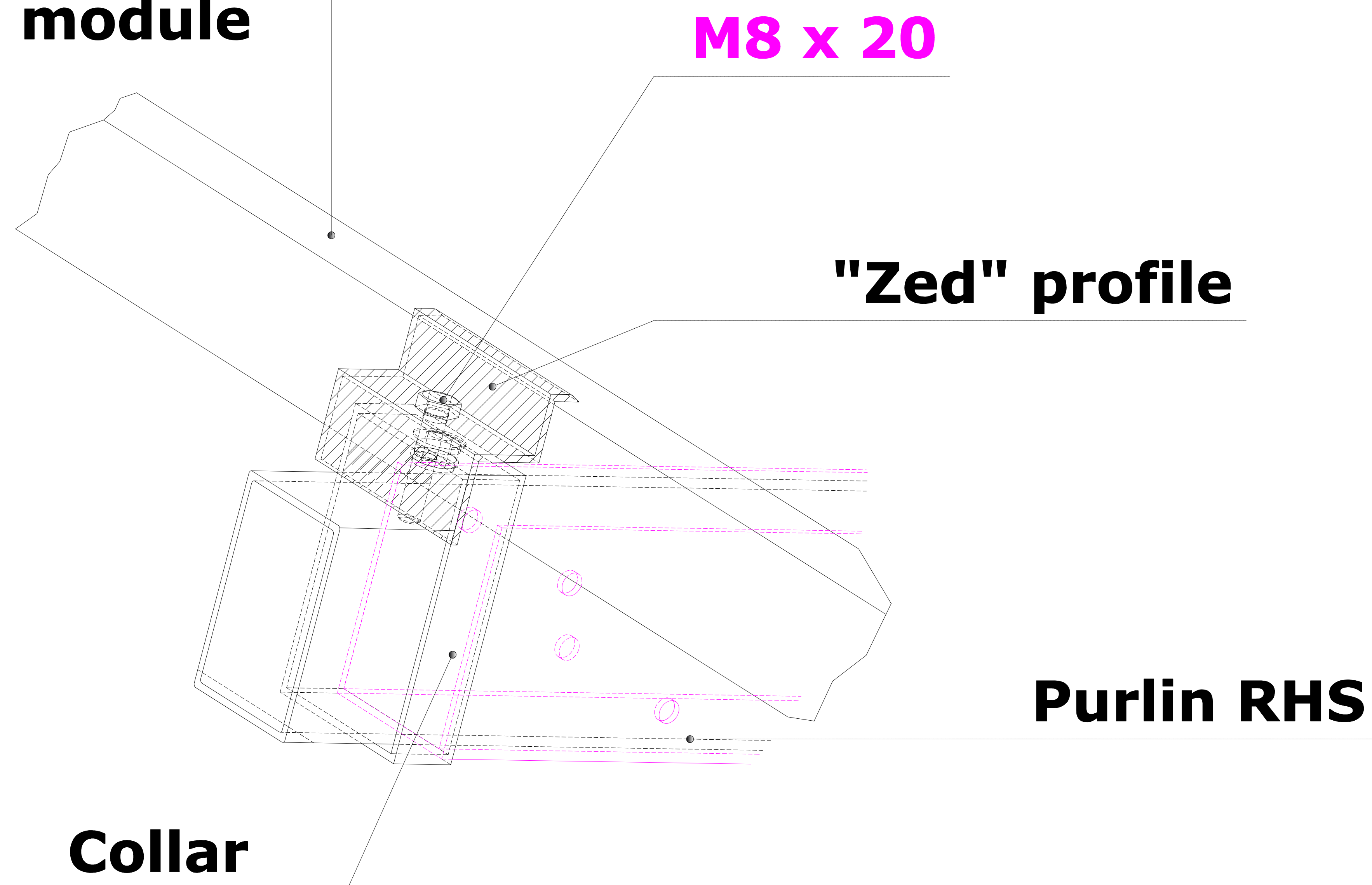
PERMITTED TIGHTENING TORQUE OF MAX 10 Nm (to be verified with the prescriptions of the module manufacturer).



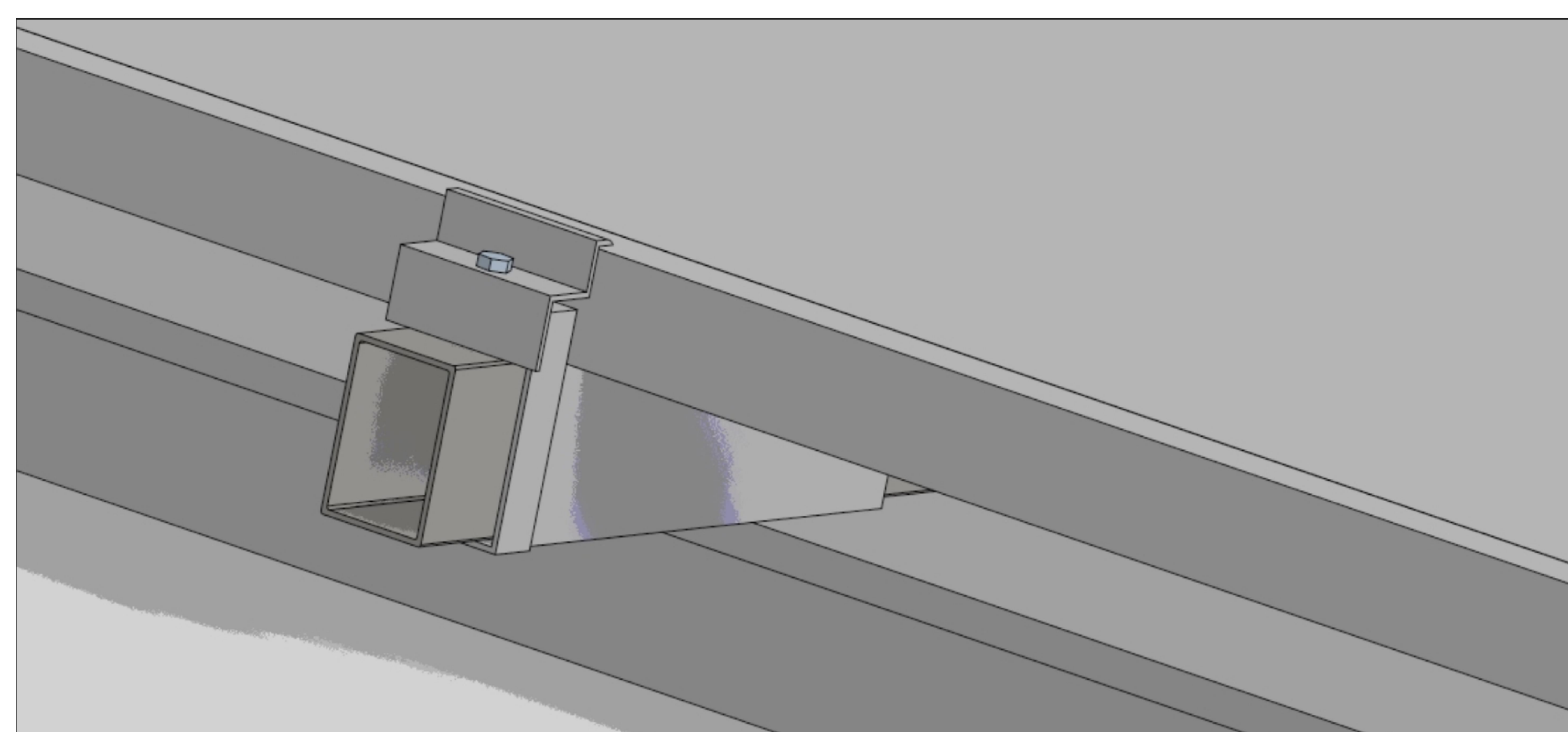
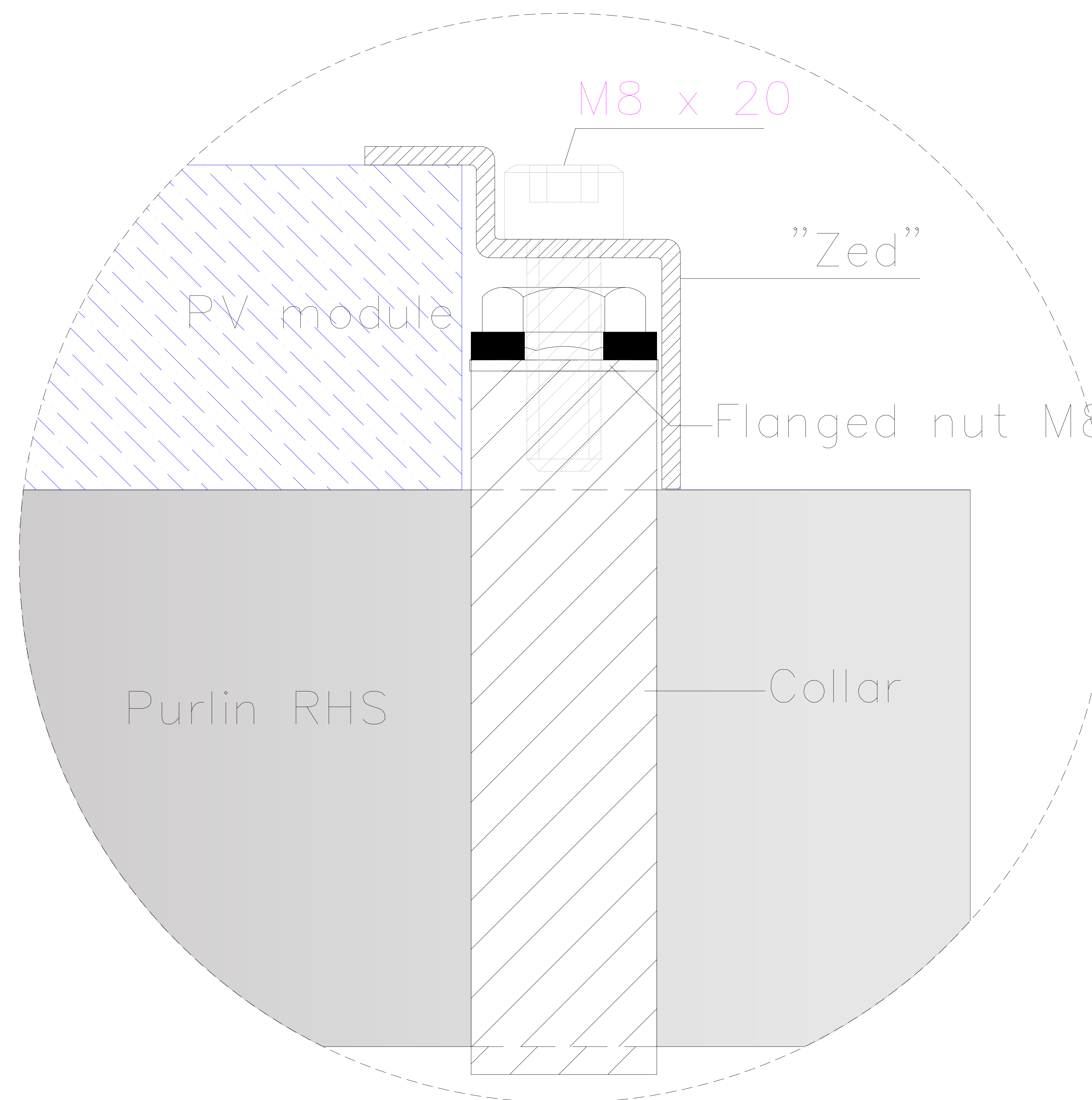
		NAME	DATE		
DRAWN		M.M.	21/02/2023	Helso Klaipeda_270,60kW	
CHECKED					
				TITLE Fastening for photovoltaic modules.	
SIZE	DWG N°:	10		REV	
SCALE:	WEIGHT:	SHEET			

TREE SYSTEM
TreeSystem s.r.l.
 Via Moraro n°22, 35020, Pozzonovo (PD)
 Tel/fax +390429773082

Abutment of the module



DETAIL "E"

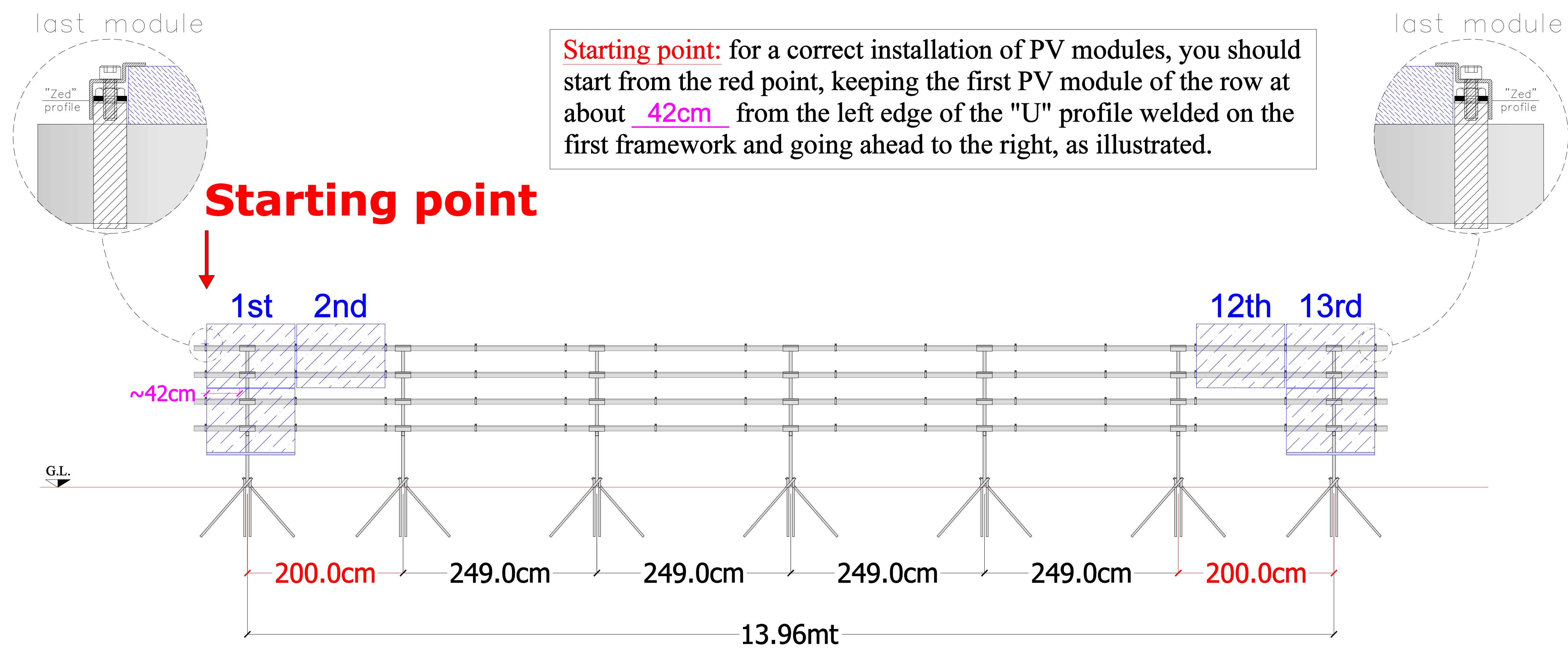


PERMITTED TIGHTENING TORQUE OF MAX 10 Nm (to be verified with the prescriptions of the module manufacturer).

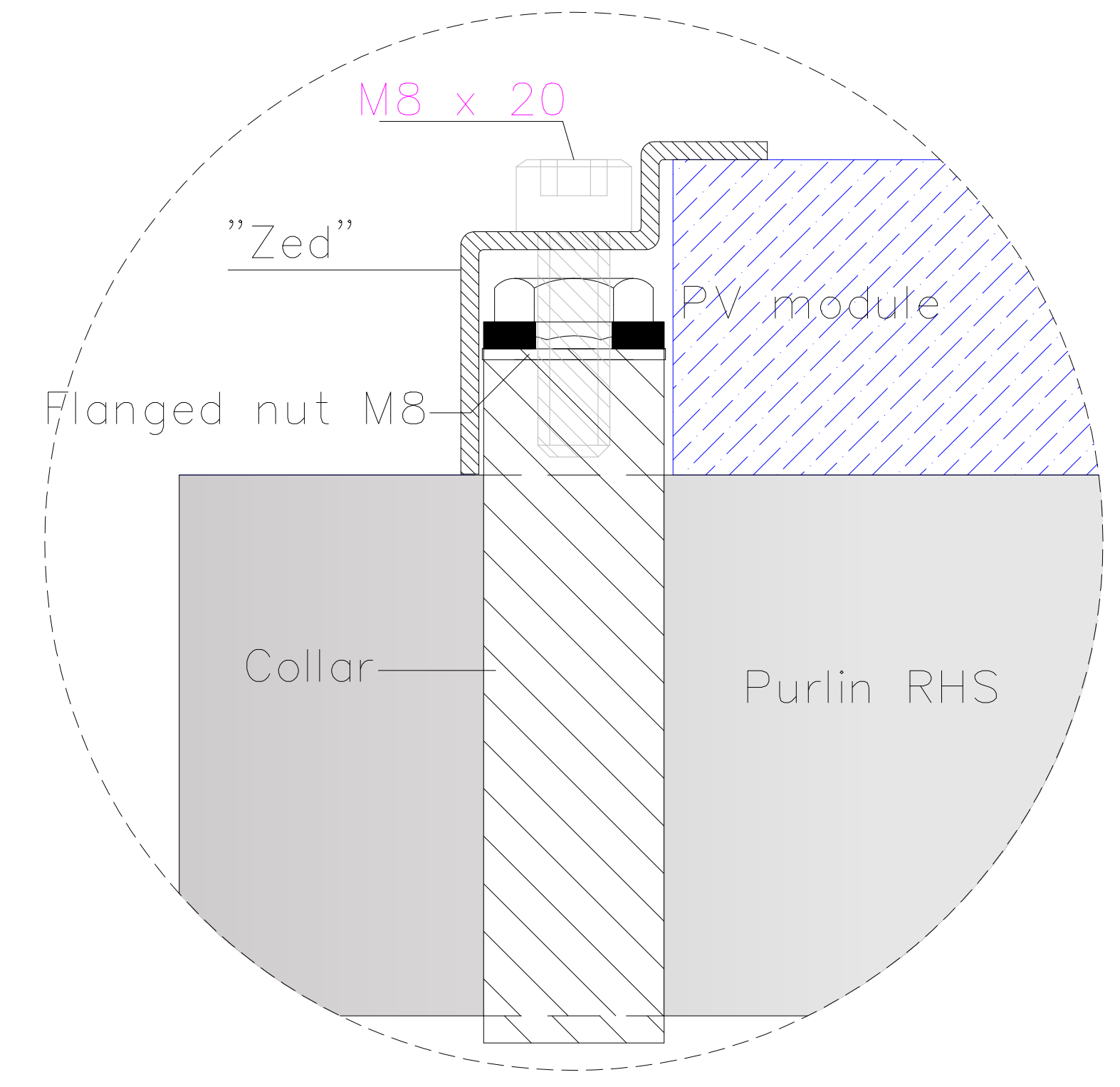


		NAME	DATE		
DRAWN	M.M.		21/02/2023	Helso Klaipeda_270,60kW	
CHECKED					
				TITLE Fastening for photovoltaic modules.	
SIZE	DWG N°:	11		REV	
SCALE:	WEIGHT:	SHEET			


TreeSystem s.r.l.
Via Moraro n°22, 35020, Pozzonovo (PD)
Tel/fax +390429773082



DETAIL "E"

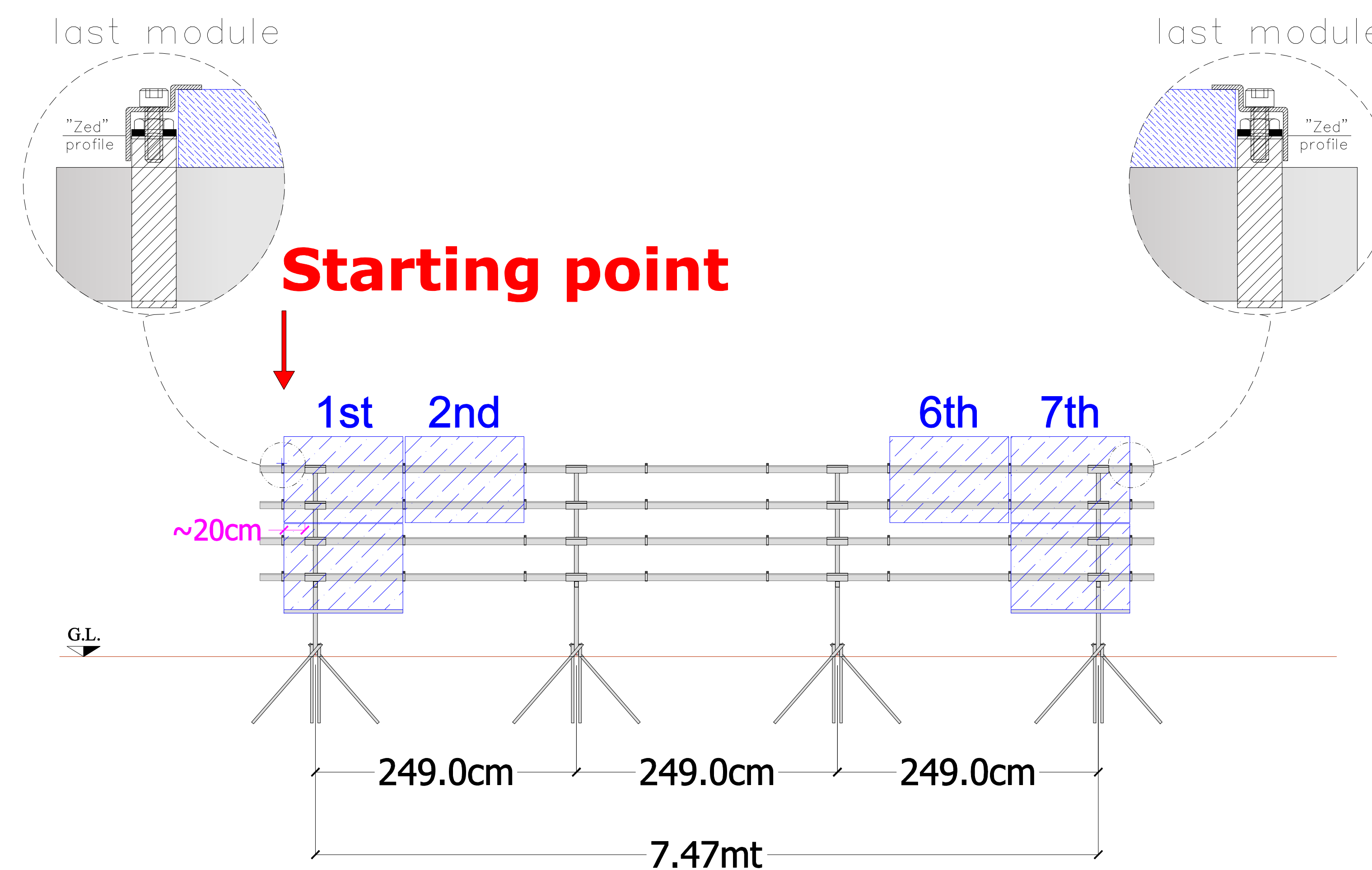


PERMITTED TIGHTENING TORQUE OF MAX 10 Nm (to be verified with the prescriptions of the module manufacturer).

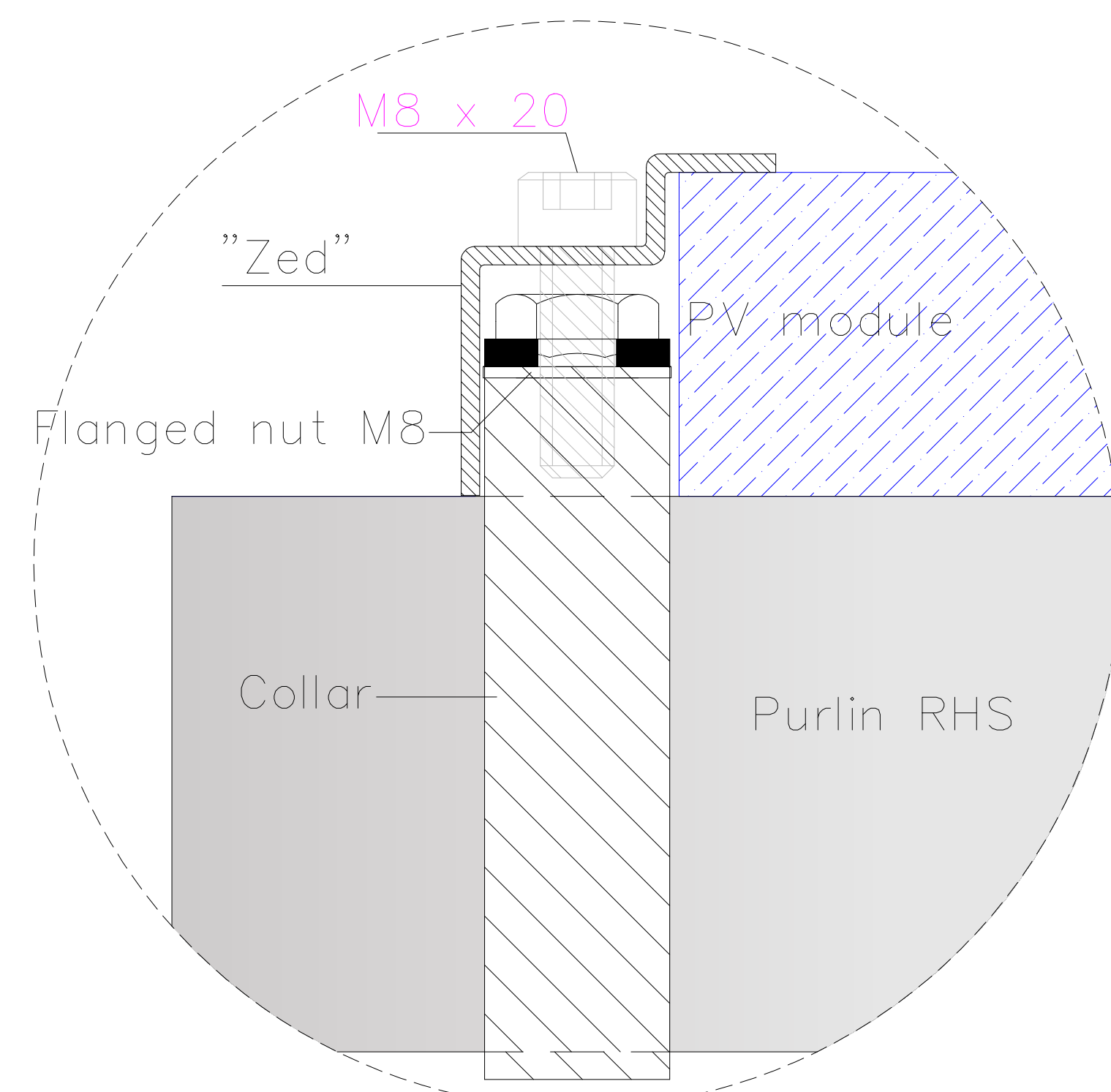
Tipology of rack: 13+13 Number of racks: 20

	NAME	DATE	Helso Klaipeda_270,60kW		
DRAWN	M.M.	21/02/2023			
CHECKED			TITLE Fastening for photovoltaic modules.		
 TreeSystem s.r.l. Via Moraro n°22, 35020, Pozzonovo (PD) Tel/fax +390429773082			SIZE	DWG N°:	REV
				12	
SCALE:	WEIGHT:	SHEET			

Starting point: for a correct installation of PV modules, you should start from the red point, keeping the first PV module of the row at about 20cm from the left edge of the "U" profile welded on the first framework and going ahead to the right, as illustrated.




DETAIL "E"



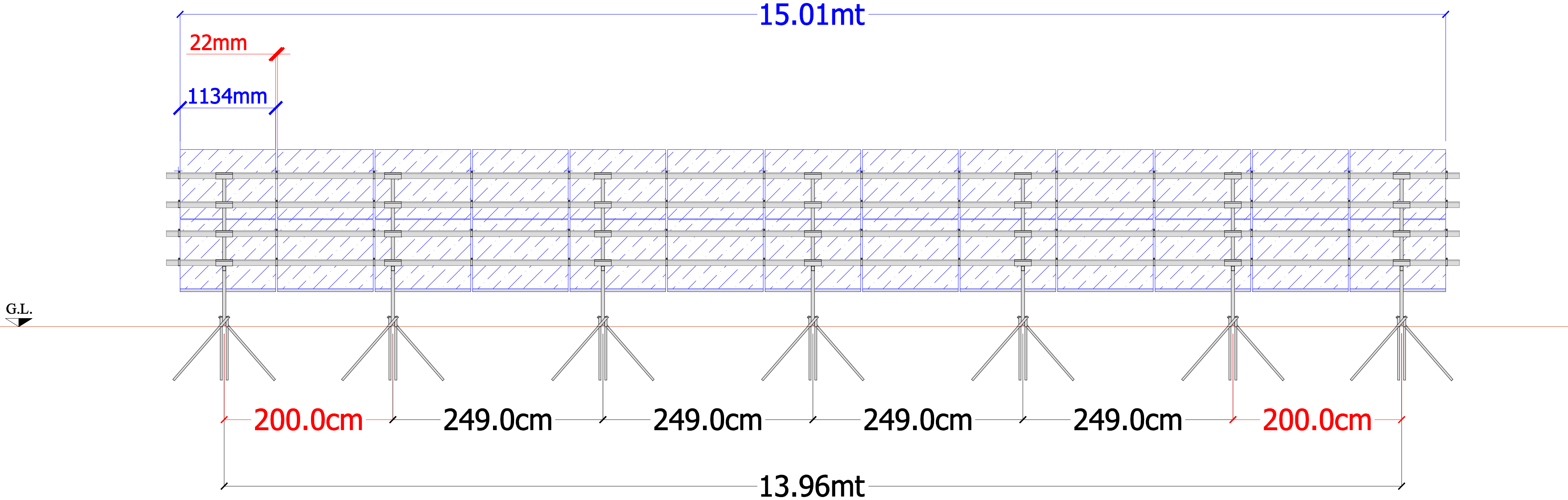
PERMITTED TIGHTENING TORQUE OF MAX 10 Nm (to be verified with the prescriptions of the module manufacturer).

Tipology of rack: **7+7** Number of racks: **10**

	NAME	DATE	Helso Klaipeda_270,60kW		
DRAWN	M.M.	21/02/2023	TITLE Fastening for photovoltaic modules.		
CHECKED					
 TreeSystem s.r.l. Via Moraro n°22, 35020, Pozzonovo (PD) Tel/fax +390429773082			SIZE	DWG N°: 13	REV
			SCALE:	WEIGHT:	SHEET

660 PV modules 410Wp → 270,6kWp

Dimension: 1762 x 1134 x 30 mm



Tipology of rack: **13+13** Number of racks: **20**

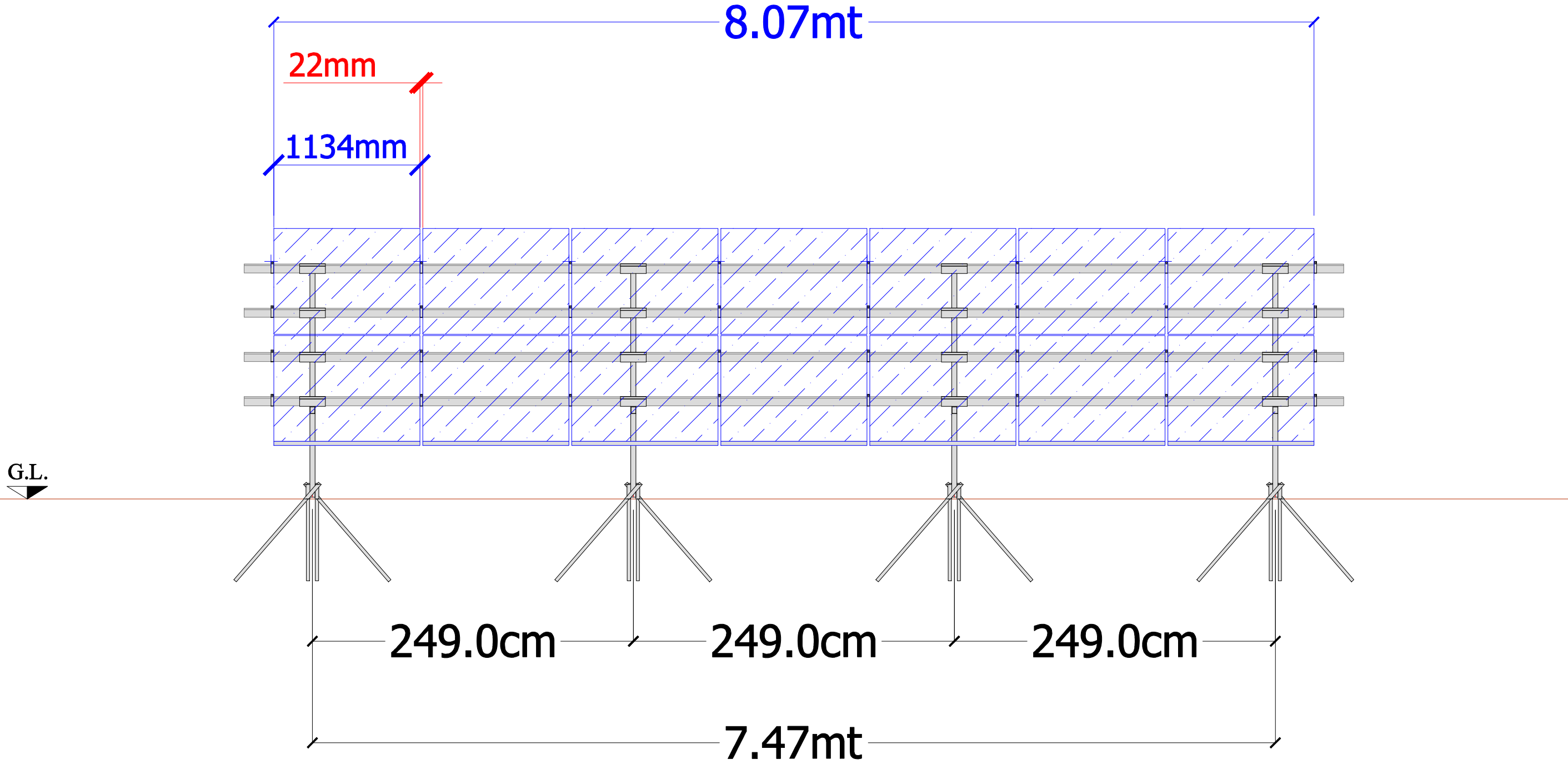
	NAME	DATE	Helso Klaipeda_270,60kW	
DRAWN	M.M.	21/02/2023		
CHECKED				
			TITLE	
			Final result.	
SIZE	DWG N°:	14	REV	
SCALE:	WEIGHT:	SHEET		



TreeSystem s.r.l.
 Via Moraro n°22, 35020, Pozzonovo (PD)
 Tel/fax +390429773082

660 PV modules 410Wp → 270,6kWp

Dimension: 1762 x 1134 x 30 mm



Tipology of rack: **7+7** Number of racks: **10**

	NAME	DATE	Helso Klaipeda_270,60kW		
DRAWN	M.M.	21/02/2023			
CHECKED					
			TITLE		
			Final result.		
			SIZE	DWG N°: 15	REV
			SCALE:	WEIGHT:	SHEET



TreeSystem s.r.l.

Via Moraro n°22, 35020, Pozzonovo (PD)

Tel/fax +390429773082