



MASTERCcolour CDM-T Elite



MASTERCcolour CDM-T Elite 100W/930 G12 1CT/12

Single-ended, very high-efficiency, long-life Ceramic Metal Halide discharge lamp producing crisp white sparkling light with high color rendering

Warnings and Safety

- Use only in totally enclosed luminaire, even during testing (IEC61167, IEC 62035, IEC60598)
- The luminaire must be able to contain hot lamp parts if the lamp ruptures
- Use only with electronic control gear. 35W & 70W lamps may also use electromagnetic gear.
- Control gear must include end-of-life protection (IEC61167, IEC 62035)
- A lamp breaking is extremely unlikely to have any impact on your health. If a lamp breaks, ventilate the room for 30 minutes and remove the parts, preferably with gloves. Put them in a sealed plastic bag and take it to your local waste facilities for recycling. Do not use a vacuum cleaner.

Product data

General information		Color Designation	
Cap-Base	G12 [G12]		Warm White (WW)
Operating Position	UNIVERSAL [Any or Universal (U)]	Lumen Maintenance 1000 h (Nom)	97 %
Life to 5% Failures (Nom)	12000 h	Lumen Maintenance 12000 h (Nom)	85 %
Life To 10% Failures (Nom)	14000 h	Lumen Maintenance 10000 h (Nom)	87 %
Life to 20% Failures (Nom)	16000 h	Lumen Maintenance 2000 h (Nom)	95 %
Life to 50% Failures (Nom)	20000 h	Lumen Maintenance 4000 h (Nom)	93 %
ANSI Code HID	C191/E	Lumen Maintenance 5000 h (Nom)	92 %
Flux measurement reference	Sphere	Chromaticity Coordinate X (Nom)	0.434
		Chromaticity Coordinate Y (Nom)	0.398
		Correlated Color Temperature (Nom)	3000 K
		Luminous Efficacy (rated) (Nom)	110 lm/W
		Color Rendering Index (Min)	89
		Color Rendering Index (Nom)	92
Light technical			
Color Code	930 [CCT of 3000K]		
Luminous Flux (Nom)	11000 lm		
Luminous Flux (Rated) (Nom)	11000 lm		

MASTERColour CDM-T Elite

Operating and electrical

Power (Rated) (Min)	100.0 W
Power (Nom)	100.1 W
Lamp Current Run-Up (Max)	1.8 A
Ignition Supply Voltage (Max)	198 V
Ignition Peak Voltage (Max)	4500 V
Ignition Supply Voltage (Min)	198 V
Re-Ignition Time (Min) (Max)	15 min
Ignition Time (Max)	30 s
Voltage (Max)	94 V
Voltage (Min)	82 V
Voltage (Nom)	88 V

Controls and dimming

Dimmable	No
Run-Up Time 90% (Max)	3 min

Mechanical and housing

Bulb Finish	Clear
Bulb Shape	T19 [T 19mm]

Approval and application

Energy Efficiency Class	F
Mercury (Hg) Content (Max)	10.1 mg
Mercury (Hg) Content (Nom)	10.1 mg

Energy Consumption kWh/1000 h	101 kWh
EPREL Registration Number	473251

UV

Pet (Niosh) (Min)	8 h/500lx
Damage Factor D/fc (Max)	0.2

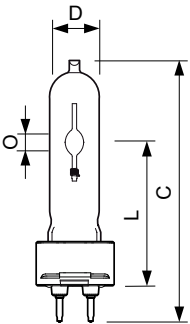
Luminaire design requirements

Bulb Temperature (Max)	550 °C
Cap-Base Temperature (Max)	250 °C
Pinch Temperature (Max)	350 °C

Product data

Full product code	872790087169200
Order product name	MASTERColour CDM-T Elite 100W/930 G12 1CT/12
EAN/UPC - Product	8727900871692
Order code	928183205125
Numerator - Quantity Per Pack	1
Numerator - Packs per outer box	12
Material Nr. (12NC)	928183205125
Net Weight (Piece)	0.030 kg
ILCOS Code	MT/UB-100/930-H-G12-21/100

Dimensional drawing

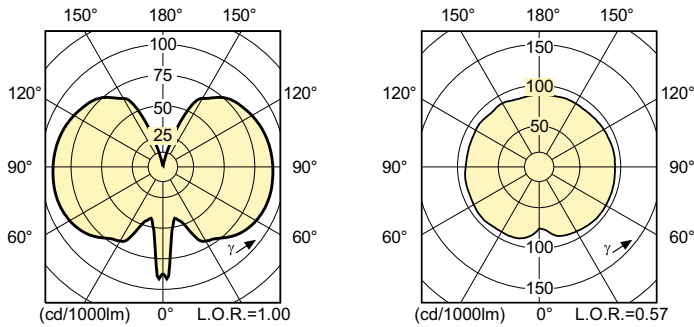


MASTERColour CDM-T Elite 100W/930 G12 1CT/12

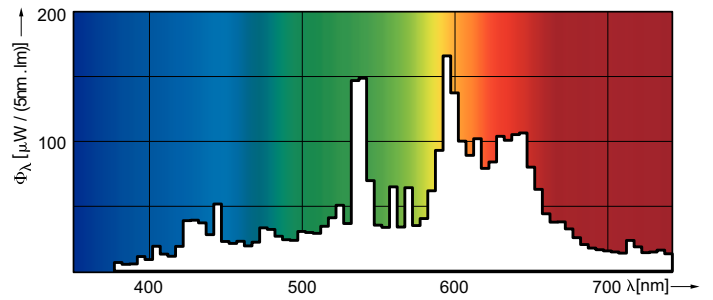
Product	D (max)	O	L (min)	L (max)	L	C (max)
MASTERColour CDM-T Elite 100W/930 G12 1CT/12	20 mm	8.5 mm	55 mm	57 mm	56 mm	110 mm

MASTERColour CDM-T Elite

Photometric data

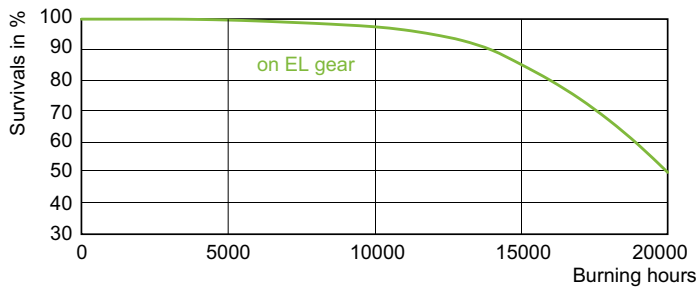


LDLD_CDM-T-E_0006-Light distribution diagram



LDPO_CDM-T-E_100W_930-Spectral power distribution Colour

Lifetime



LDLE_CDM-T-E_0006-Life expectancy diagram

