



UniStreet

BGP203 LED40/740 II DM D9 48/60A

UniStreet Small - LED module 4000 lm - Distribution medium - Universal for diameter 48 to 60 mm adjustable

At relatively low initial cost, the highly efficient LED-based UniStreet luminaire offers significant cost savings compared with conventional street lighting, ensuring full payback within a short period of time. Available in a choice of lumen packages, UniStreet allows point-to-point replacement of outdated conventional light sources and luminaires. The compact, slim luminaire is made of quality recyclable materials. And being a LED solution, it requires little maintenance.;Core version design for high-volume projects at relatively low initial budget. Offer limited range of optics.Performer version design for customers who are preparing big renovation projects, TCO oriented

Product data

General Information		Protection class IEC	Safety class II
Number of light sources	2 pcs	Coating	-
Lamp family code	LED40 [LED module 4000 lm]	Glow-wire test	Temperature 650 °C, duration 5 s
Light source color	740 neutral white	Flammability mark	For mounting on normally flammable surfaces
Light source replaceable	Yes	CE mark	CE mark
Number of gear units	1 unit	ENEC mark	ENEC mark
Driver/power unit/transformer	Power supply unit with DALI interface	Optic type outdoor	Distribution medium
Driver included	Yes	Photocell	-
Optical cover/lens type	Flat glass	Remarks	*-Per Lighting Europe guidance paper "Evaluating performance of LED based luminaires - January 2018": statistically there is no relevant difference in lumen maintenance between B50 and for example B10. Therefore the median useful life (B50) value also represents the B10 value.
Luminaire light beam spread	154°		
Embedded control	-		
Light regulation	Dimming via external communication DALI		
Connection	Screw connection block 3-pole		
Cable	-		

Supply cable type	-
Constant light output	Yes
Spare parts available	Yes
RoHS mark	-
WEEE mark	-
Serviceability class	Class A, luminaire is equipped with serviceable parts (when applicable): LED board, driver, control units, surge protection device, optics, front cover and mechanical parts
Product family code	BGP203 [UniStreet Small]

Light Technical

Scotopic/photopic lumen ratio	1.6
Standard tilt angle posttop	0°
Standard tilt angle side entry	0°

Operating and Electrical

Input Voltage	220-240 V
Input Frequency	50 to 60 Hz
Driver current	590 mA

Controls and Dimming

Dimmable	Yes
----------	-----

Mechanical and Housing

Housing Material	Aluminum
Optic material	Polycarbonate
Optical cover/lens material	Glass
Fixation material	Aluminum
Mounting device	Universal for diameter 48 to 60 mm adjustable
Optical cover/lens shape	Flat
Optical cover/lens finish	Clear
Torque	15
Color	Gray

Approval and Application

Ingress protection code	IP66 [Dust penetration-protected, jet-proof]
Mech. impact protection code	IK08 [5 J vandal-protected]

Initial Performance (IEC Compliant)

Initial luminous flux (system flux)	3485 lm
Luminous flux tolerance	+/-7.5%
Initial LED luminaire efficacy	104 lm/W
Init. Corr. Color Temperature	4000 K
Initial chromaticity	(0.38, 0.38) SDCM <5
Initial input power	33.5 W
Power consumption tolerance	+/-11%

Over Time Performance (IEC Compliant)

Control gear failure rate at median useful life 100000 h	10 %
Lumen maintenance at median useful life* 100000 h	L91

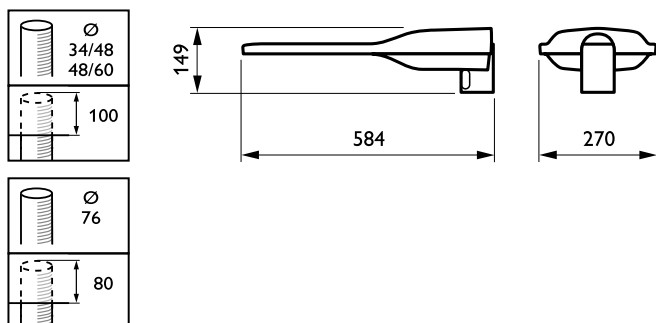
Application Conditions

Ambient temperature range	-40 to +50 °C
Performance ambient temperature Tq	25 °C

Product Data

Full product code	871869631877500
Order product name	BGP203 LED40/740 II DM D9 48/60A
EAN/UPC - Product	8718696318775
Order code	910925439133
Numerator - Quantity Per Pack	1
Numerator - Packs per outer box	1
Material Nr. (12NC)	910925439133
Net Weight (Piece)	6.210 kg

Dimensional drawing



UniStreet BGP/BGS202/203/204

