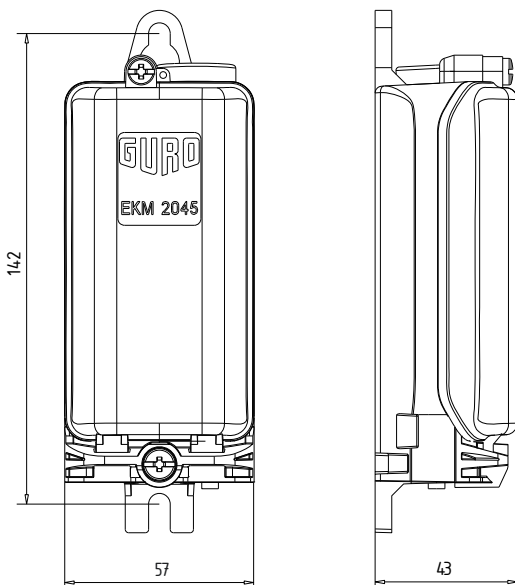
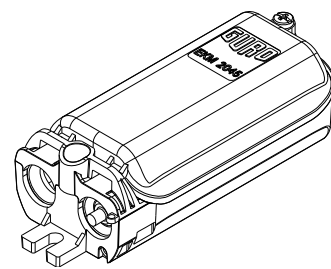




EKM-2045-1D1-4
Art.-Nr.: F06699-000 (JOR-93869)

Fuse box for lighting application EKM 2045
according to DIN 43628 / VDE 0660 T. 505 – with VDE- Symbol
form SK (for installation in lighting columns and outdoor application)

- protection class II
- ingress protection IP 55
- minimum diameter 59 mm
- door opening minimum 58 x 150 mm
- l x w x h: 158 x 57 x 43 mm
- grey cover with screw
- 1 fuse holder 16 A
- 1 fuse 4 A / E 14
- 5 strain-relief clamps
- rail connection (brass rails, nickel-plated)
- fully insulated PE- and N- load terminals
- 2 pole mounting screws M 6 x 12
- cable entry: cable clamp for 1 cable or 2 cables 3 x 1,5 - 3 x 4 mm²
 4 x 1,5 – 2,5 (-4)* mm²
 5 x 1,5 – 2,5 (-4)* mm²
 * if cable $\varnothing \leq 17$ mm
- loadside: 1 cable insertion grommet, cable \varnothing 7-10 mm



Cable entry

