


15 PV modules 400Wp → 6,0kWp
 Dimension: 1754 x 1096 x 35 mm

	NAME	DATE	Helso Carport		
DRAWN	M.M.	07/06/2022			
CHECKED			TITLE Lateral view.		
 TreeSystem s.r.l. Via Morano n°22, 35020, Pozzonovo (PD) Tel/fax +390429773082			SIZE	DWG N°: 1	REV
			SCALE:	WEIGHT:	SHEET

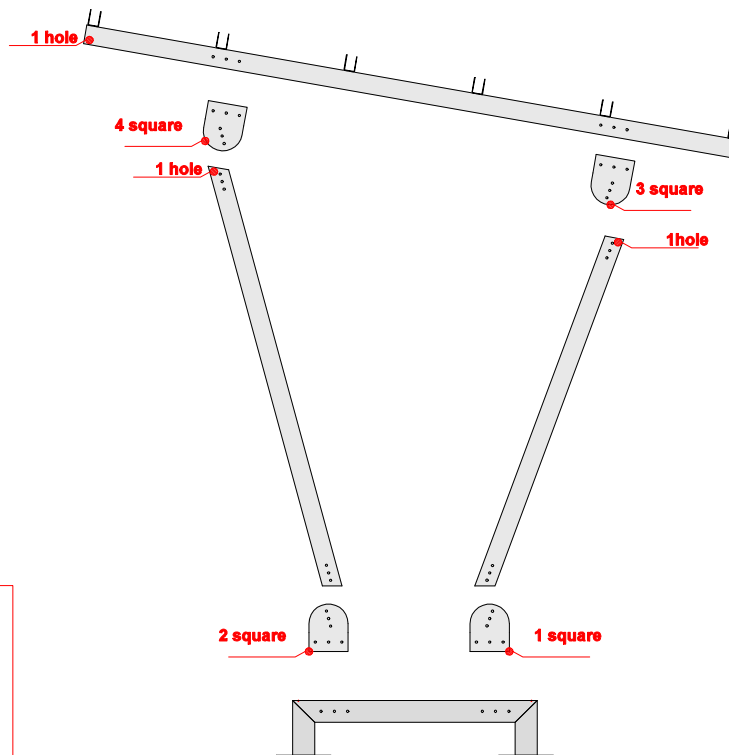
Place the elements on a horizontal plane near the point of installation.

Each element of the frame is marked with one or more little roles (as indicated on the picture) in order to define the right positioning during the frame assembly.

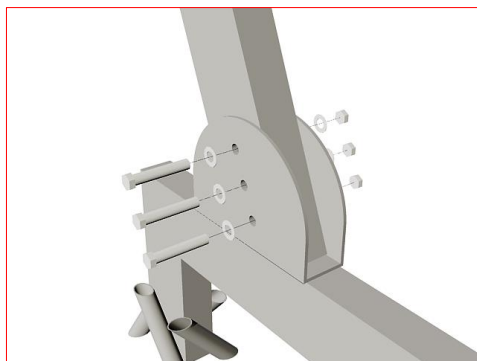
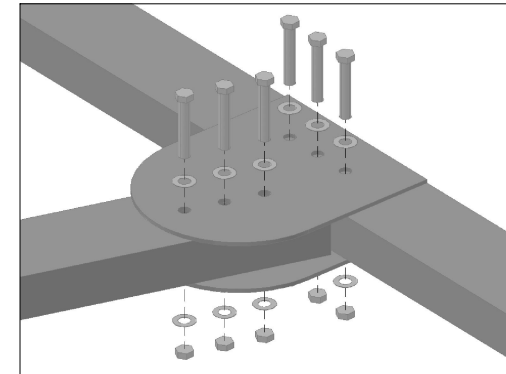
Mount the frames with the screws M14 supplied.

For each frame use:

- 24 screws M14x110;
- 24 nuts M14;
- 48 washer for M14.

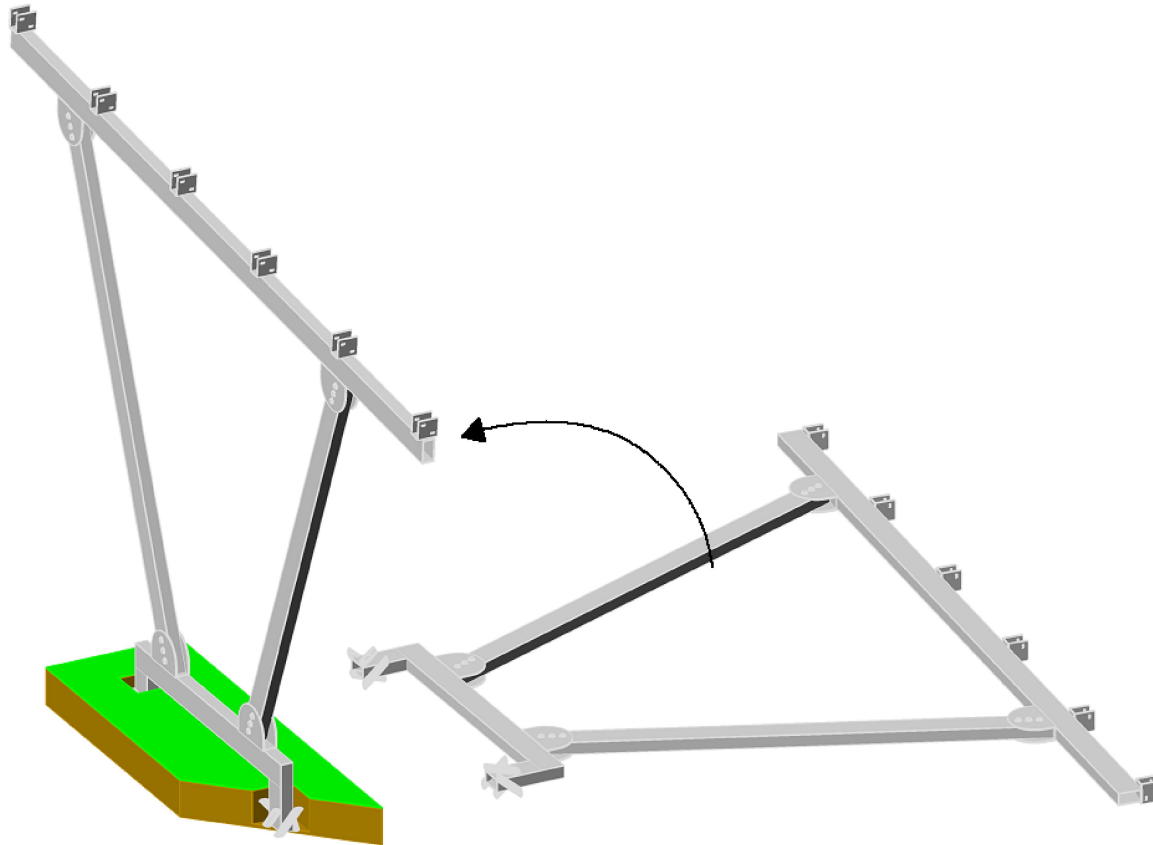


Bolts, nuts, washers positioning sample.



	NAME	DATE		
DRAWN	M.M.	07/06/2022	Helso Carport	
CHECKED				
			TITLE Framework assembly.	
			SIZE DWG N°: 2	REV
			SCALE:	WEIGHT:
			SHEET	


TREE SYSTEM
TreeSystem s.r.l.
 Via Morano n°22, 35020,
 Pozzonovo (PD)
 Tel/fax +390429773082

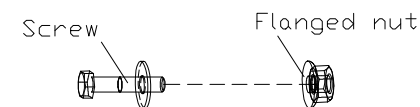
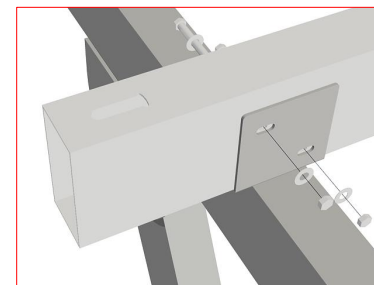
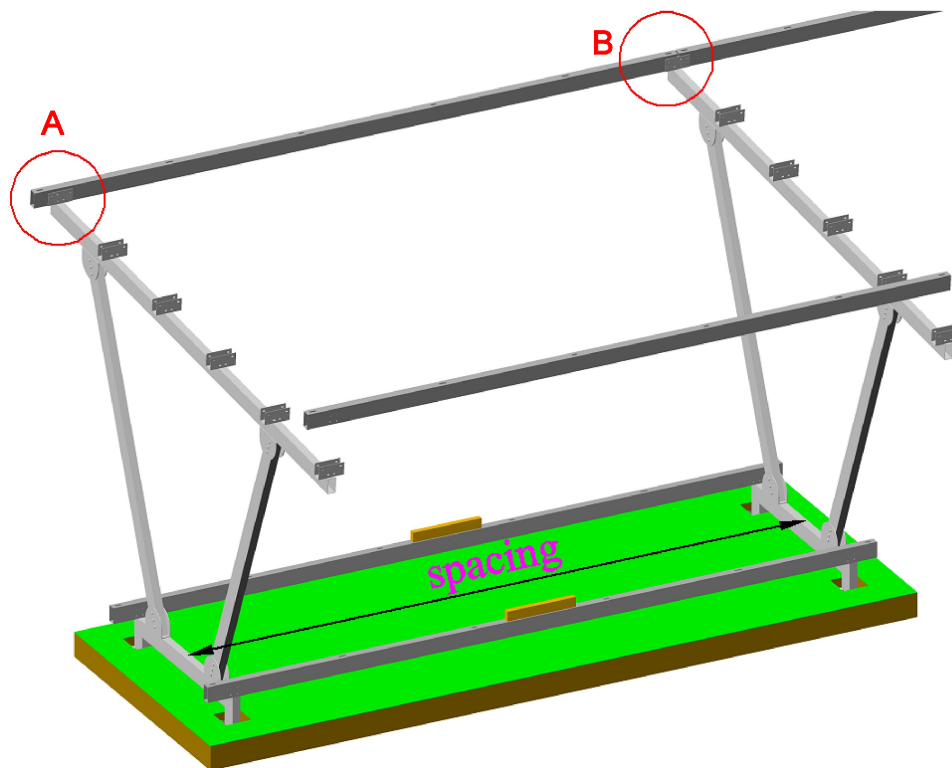


N.B. Picture also valid for canopy with plates.

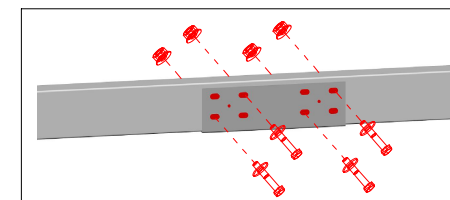
Lift the frame, taking the side of the upper beam, until it will be on vertical direction. During the lifting slide the fondation into holes previously made about 20 cm deep. Sure that the frame is level in the horizontal and vertical direction using a bubble level.

Anchor the FRAMES with the PLATES in the direction orthogonal to the development of the frame.

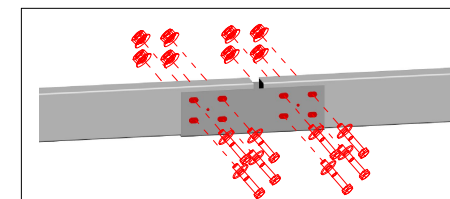
	NAME	DATE	Helso Carport		
DRAWN	M.M.	07/06/2022			
CHECKED			TITLE Framework assembly.		
 TreeSystem s.r.l. Via Morano n°22, 35020, Pozzonovo (PD) Tel/fax +390429773082			SIZE DWG N°:	3	REV
			SCALE:	WEIGHT:	SHEET



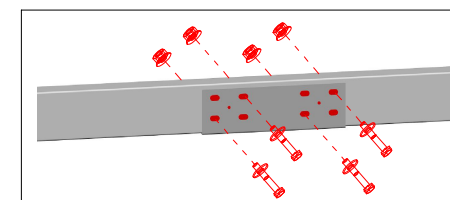
DETAIL "A": Starting Position



DETAIL "B": Intermediate Position



DETAIL "C": Final Position



Assemble the second frame and lift. Don't fix it with the PLATES now.

The spacing between the frames are indicated on the next sheet. Pay attention to the different spacing for the initial and final spans. The holes on the horizontal beams help to define the correct spacing.

Mount the upper and the lower horizontal beam and check the right horizontal alignment. You can use the other horizontal beams positioning them on the base of the frames as indicated on the picture. Install the horizontal beams keeping the slots for the PV modules installation facing up.

Use the screws M12x90 with the flanged nuts M8 and the relative washers.

Repeat this procedure for install the next frames and horizontal beams.

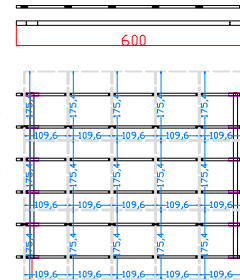
Once checked the horizontal alignment of the structure, fix the plates with the anchors to the ground by using bolts.

	NAME	DATE		
DRAWN	M.M.	07/06/2022	Helso Carport	
CHECKED				
			TITLE	
			Horizontal beams assembly.	
	SIZE	DWG N°:	4	REV
	SCALE:	WEIGHT:	SHEET	

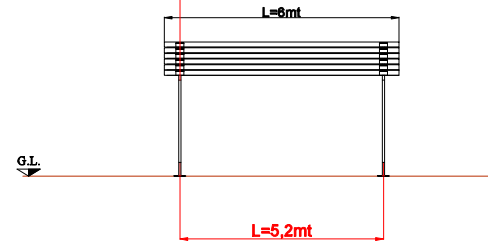


TOP VIEW

1x



FRONTAL VIEW

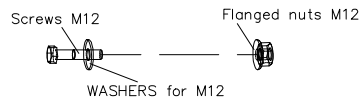


For this carport, it is required:

- 2 FRAMEWORKS ;
- 6 PURLINS L=600cm;

For each beam it is required:

- 8 screws M12x90;
- 8 flanged nuts M12;
- 8 washers for M12.

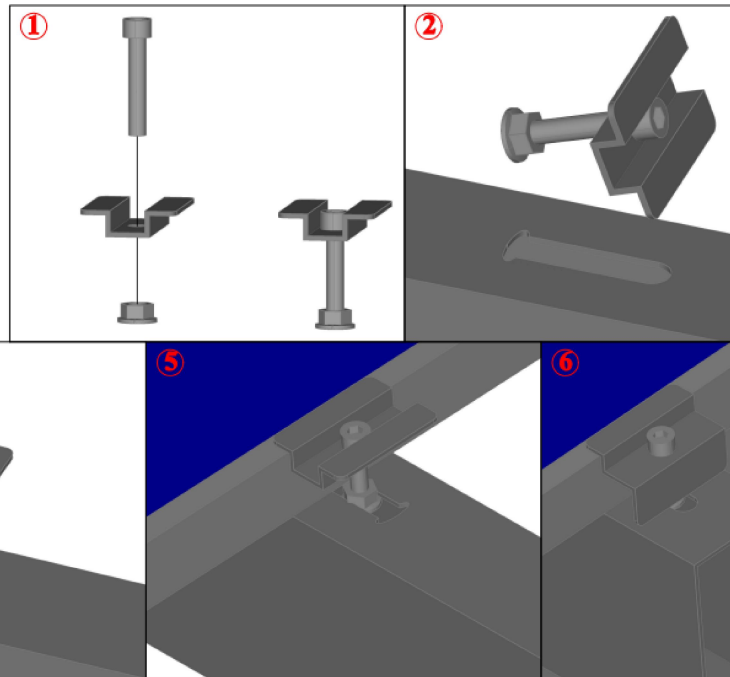
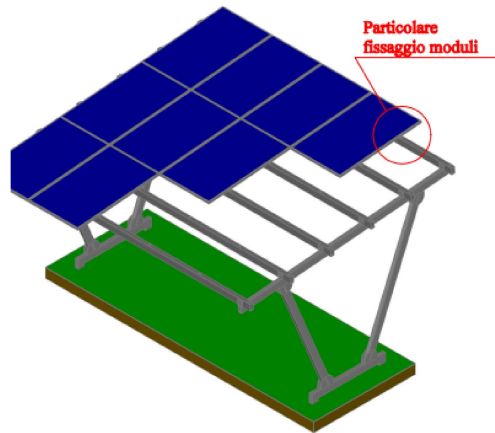


	NAME	DATE	Helso Carport	
DRAWN	M.M.	07/06/2022		
CHECKED				
			TITLE Horizontal beams assembly.	
SIZE		DWG N°: 5	REV	
SCALE:	WEIGHT:	SHEET		



TreeSystem s.r.l.
Via Morano n°22, 35020,
Pozzonovo (PD)
Tel/fax +390429773082


Modules fixing



After the completion of the installation of the horizontal beams, proceed with the fastening of the PV modules.

Position the "Omega" profiles with the screws M8 and the relative flanged nuts M8 as indicated on the images n°1-5.

Pay attention: for the ends of each modularity, use the "Zed" profiles for clamping as indicated on the image 6.

	NAME	DATE	Helso Carport	
DRAWN	M.M.	07/06/2022		
CHECKED			TITLE Horizontal beams assembly.	
 TreeSystem s.r.l. Via Morano n°22, 35020, Pozzonovo (PD) Tel/fax +390429773082			SIZE DWG N°:	REV
			SCALE:	WEIGHT: