



GOLD

IP40 distribution boxes



The IP40 distribution boxes from the Gold series are specially designed to be installed in establishments in the tertiary and residential sectors. They have been designed strictly in line with technical and quality standards to offer the installer maximum versatility and ease of assembly and installation.

Available for flush or surface mounting, they have a capacity for 12 to 36 modules. The flush-mounted version can be installed in prefabricated walls (plasterboard, wood, chipboard, etc.) and in brick walls.

An attractive design that adapts perfectly to any type of environment, blending perfectly with the decor in establishments, offices, shops, hotels, detached residences, etc.

GOLD Technical details

- **Protection rating:** IP40.
- **Resistance to impact:** IK08.
- **Glow wire resistance:**
 - 850 °C in flush-mounted bases for hollow walls.
 - 650 °C for brick walls.
- **Ambient temperature range:** -25 °C / +40 °C.
- **Maximum operating voltage:** 1000 V AC / 1500 V DC.
- **Double insulation:** Class II.

GOLD Certifications

Compliant with the low voltage directive 2014/35/EU.
Standards: UNE-EN 62208 and UNE-EN 60439-1 (as applicable).

GOLD

IP40 Surface distribution boxes



Product range. **Surface**

- Surface-mounted boxes with 12, 18, 24 and 36 modules of capacity.
- Available with white or transparent door.

Supply

Supplied in individual packaging. When several items are sent together, they are bundled together with transparent film. Supplied with all the elements assembled, except for the elements supplied in the accessory bag.

Standard accessory bag for surface-mounted boxes:

- Screws for frame-base closure.
- Door hinges.
- Cover for white modules (6 modules).
- Module identification strips.
- Instructions for assembly.

Materials

- Halogen-free plastic materials.
- Base, frame and door in ABS, white RAL 9003.
- Transparent door in tinted grey PC with UV protection.

Avantgarde exclusive design compliant with the maximum technical and quality standards for installation in detached residences, shops and offices



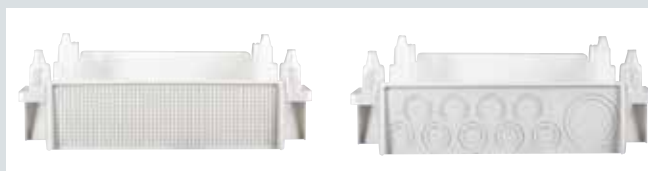
Frame



- The functional design of the casings of the surface boxes guarantees a quick and precise assembly.
- The side walls have grooves for sliding and fitting the frame on the base of the casing, in addition to pre-marked round and square holes for the easy insertion of cables.
- The front has a space for attaching a module identification label, and four covered module spaces, with pre-marked covers, for the easy assembly of different configurations of circuit breakers.

Base and cable entry

- Manufactured in ABS RAL 9003 white.
- The upper side has horizontal and vertical marks every 4 mm which enable the installer to cut the cable entry holes as required.
- The lower side has cut-outs for inserting the M16, M20, M25 and M50 holes.
- The recesses on the ends of the sides allow cables of up to 27 mm in diameter to be passed through.
- The 24 and 36 module casings, in the central part, guarantee the entrance of tubes up to 60x30 mm.
- The cut-outs in the bottom of the base provide access to M24, M32 and M40 tubes, and the double grooves permit the insertion of self-tapping screws with a diameter of 3.6 mm for increased versatility when configuring the interior of the casing.
- All the bases are reversible, such that the installer can select the direction of the cable inputs according to installation requirements.



UPPER

LOWER



Frame-base closure

- The joint between the frame and the base is closed using captive screws, the screw always stays in the housing, and does not fall out during handling and installation.
- These screws are covered with caps to offer a highly attractive look. The caps have a tab for easy extraction if it is necessary to remove the front once the casing has been installed.



GOLD

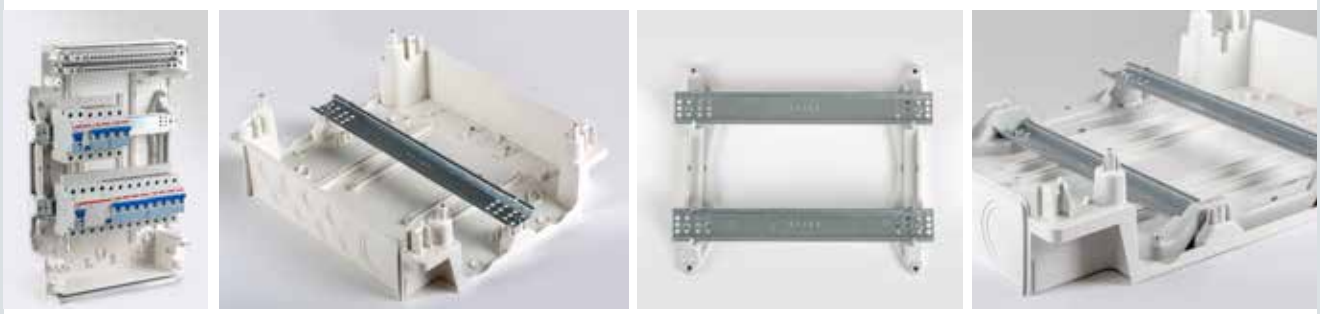
IP40 Surface distribution boxes

Wall mounting

- There are two options for mounting the casings on the wall:
 - Through the four cut-outs, located at the bottom of the base, permitting the position to be adjusted, and securely fastening the casing to the wall.
 - Through a central triangular cut-out, such that the casing is suspended at only one point.
- For a perfect installation, an interior housing for inserting a level supplied as an accessory is located in the base.



Attachment of DIN rail and frames



- The casings with two or more rows (24 and 36 modules) are supplied with a removable frame and with the rails mounted.
- In casings with one row (12 and 18 modules), the rail is directly fastened to the base of the casing and is supplied already mounted.
- For the 24 and 36 module casings, there are two options for attaching the rail, directly over the base of the casing or using a removable frame.
- The removable frame allows the complete assembly to be conveniently put together at the work bench and subsequently transported to the casing for the final assembly.
- The geometry of the bases allows the frame to be attached easily and precisely without the need for additional markers. The frame is attached to the casing with four screws located at the ends.
- The rails fastened to the base and the rails fastened to the frame can be positioned at two different heights, permitting the use of different sizes of circuit breaker.
- The space available for the cables to pass through when the rail is in the lower position is 10 mm, and in the upper position it is 30 mm.
- The distance between rails is 125 mm.

Doors and closures

- Available with white or transparent door. White doors manufactured in ABS RAL 9003, and transparent doors in tinted grey PC with UV protection.
- All the doors are reversible, opening 180°.
- They are quick and easy to mount, thanks to the innovative design of the hinge. Can be assembled without tools with a simple vertical rotation.
- Closing of doors using a clip system. The longitudinal and transversal ribs along the surface of the doors provide rigidity, resulting in the perfect opening and closing of the doors.
- Option to mount lock and key, supplied as accessory.



Attachment of neutral and earth bars

- The RR (screw-mounted bars) and the RA (push-in bars) references are supplied with the neutral and earth bars already mounted.
- The bar-holder support is attached by a clip system for quick and safe installation.
- Different types of bars, with screw or push-in mounting, can be mounted on the support.
- The bars can be mounted on either the upper or lower section of the casing. In addition, in the 24 and 36 module boxes, installation is possible at two heights (upper and lower).
- The bar terminal identifiers are directly engraved onto the support. Therefore labels are not required for the identification.



Accessories

- **Lock and key:** option to install lock and key. The doors have a pre-marked housing to facilitate the installation.
- **Level:** the bases have a housing for the insertion of a level. This level is supplied as an accessory and ensures the perfect vertical assembly of the casing.



GOLD

IP40 Surface distribution boxes

IP40 distribution boxes. Surface

Reference		No. of modules	Dimensions	Weight	Power dissipation by temperature increases °C P(W)*				
WHITE DOOR	TRANSP. DOOR		HEIGHT X WIDTH X DEPTH	KG	20	25	30	35	40
GPS12PO	GPS12PT	1x12 DIN rail	254x285x118	1.19	14.2	17.7	21.2	24.8	28.3
GPS18PO	GPS18PT	1x18 DIN rail	254x393x118	1.50	18.1	22.6	27.1	31.7	36.2
GPS24PO	GPS24PT	2x12 (24) DIN rail	419x285x118	1.96	21.2	26.5	31.8	37.1	42.4
GPS36PO	GPS36PT	3x12 (36) DIN rail	544x285x118	2.46	26.6	33.2	39.8	46.5	53.1

HALOGEN-FREE PLASTIC MATERIALS

Base, frame and door in ABS, white RAL 9003.

Transparent door in tinted PC.

PO: White door. PT: Transparent door.

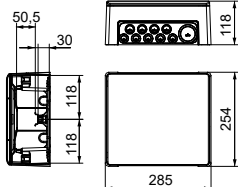
IP40 - Surface.

* Calculations obtained in accordance with the CEI 890:1997 standard (including 1998 corrigendum). Method of temperature-rise assessment by extrapolation for partially type-tested assemblies (PTTA) of low-voltage switchgear and control gear.



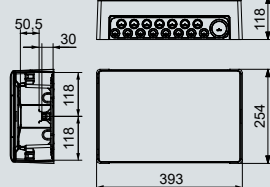
1x12 modules GPS12PO - GPS12PT

UPPER: 4x4
LOWER: 1xM50/M40 - 4xM25/M20 - 5xM25/M16
REAR: 2xM40/M32 - 4xM25
LEFT and RIGHT: 2xØ27



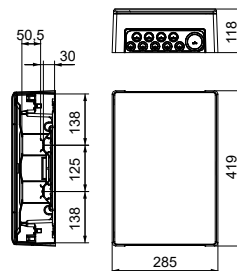
1x18 modules GPS18PO - GPS18PT

UPPER: 4x4
LOWER: 1xM50/M40 - 7xM25/M20 - 8xM25/M16
REAR: 2xM40/M32 - 4xM25
LEFT and RIGHT: 2xØ27



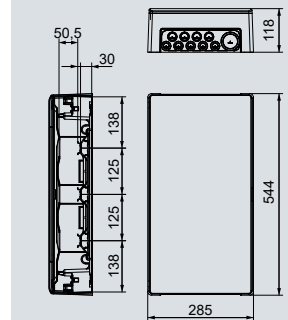
2x12 (24) modules GPS24PO - GPS24PT

UPPER: 4x4
LOWER: 1xM50/M40 - 4xM25/M20 - 5xM25/M16
REAR: 2xM40/M32 - 4xM25
LEFT and RIGHT: 2xØ27 - 1x(60x32)



3x12 (36) modules GPS36PO - GPS36PT

UPPER: 4x4
LOWER: 1xM50/M40 - 4xM25/M20 - 5xM25/M16
REAR: 2xM40/M32 - 4xM25
LEFT and RIGHT: 2xØ27 - 2x(60x32)



IP40 distribution boxes. **Surface.** With neutral and earth bars

Reference		No. of modules	Dimensions	Weight	Power dissipation by temperature increases °C P(W)*				
WHITE DOOR	TRANSP. DOOR		HEIGHT X WIDTH X DEPTH	KG	20	25	30	35	40
GPS12PO/RR	GPS12PT/RR	1x12 DIN rail	254x285x118	1.35	14.2	17.7	21.2	24.8	28.3
GPS18PO/RR	GPS18PT/RR	1x18 DIN rail	254x393x118	1.72	18.1	22.6	27.1	31.7	36.2
GPS24PO/RR	GPS24PT/RR	2x12 (24) DIN rail	419x285x118	2.21	21.2	26.5	31.8	37.1	42.4
GPS36PO/RR	GPS36PT/RR	3x12 (36) DIN rail	544x285x118	2.77	26.6	33.2	39.8	46.5	53.1

IP40 distribution boxes. **Surface.** With push-in neutral and earth bars

Reference		No. of modules	Dimensions	Weight	Power dissipation by temperature increases °C P(W)*				
WHITE DOOR	TRANSP. DOOR		HEIGHT X WIDTH X DEPTH	KG	20	25	30	35	40
GPS12PO/RA	GPS12PT/RA	1x12 DIN rail	254x285x118	1.30	14.2	17.7	21.2	24.8	28.3
GPS18PO/RA	GPS18PT/RA	1x18 DIN rail	254x393x118	1.62	18.1	22.6	27.1	31.7	36.2
GPS24PO/RA	GPS24PT/RA	2x12 (24) DIN rail	419x285x118	2.14	21.2	26.5	31.8	37.1	42.4
GPS36PO/RA	GPS36PT/RA	3x12 (36) DIN rail	544x285x118	2.68	26.6	33.2	39.8	46.5	53.1

HALOGEN-FREE PLASTIC MATERIALS

Base, frame and door in ABS, white RAL 9003.

Transparent door in tinted PC.

/RR: With screw-mounted neutral and earth bars.

/RA: With push-in neutral and earth bars.

PO: White door. PT: Transparent door.

IP40 - Surface.

* Calculations obtained in accordance with standard CEI 890:1997 (including 1998 corrigendum). Method of temperature-rise assessment by extrapolation for partially type-tested assemblies (PTTA) of low-voltage switchgear and control gear.

GOLD

IP40 Flush-mounted distribution boxes



Product range. Flush-mounted

- Modular capacity of 12, 18, 24 and 36 modules.
- Flush-mounted boxes:
 - Brick walls: boxes GPE.
 - Hollow walls: boxes GPE/PH.
- Available with white or transparent door.

Supply

Supplied in individual packaging. When several items are sent together, they are bundled together with transparent film. Supplied with all the elements assembled, except for the elements supplied in the accessory bag.

Accessories bag:

- Screws for frame-base closure.
- Hollow wall assembly kit (Only in GPE/PH type boxes).
- Door hinges.
- Cover for white modules (6 modules).
- Module identification strips.
- Instructions for assembly.

Materials

- Halogen-free plastic materials.
- Flush-mounted bases:
 - Brick walls: Grey PS RAL 7035.
 - Hollow walls: Grey PS V0 RAL 7035.
- Frame and door: White ABS RAL 9003.
- Transparent door: Tinted grey PC with UV protection.

Intended for the tertiary and residential sector, apartments, hotels and offices, requiring an exclusive and avantgarde design



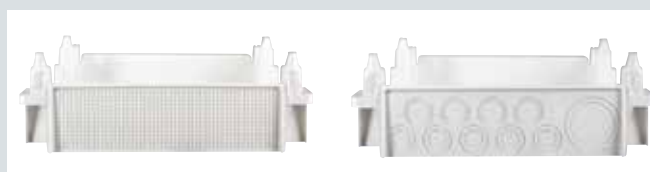
Frame



- The functional design of the casings of the flush-mounted boxes guarantees a quick and precise assembly.
- The joint between the frame and base is closed using four self-tapping screws.
- The front has a space for attaching a module identification label, and four covered module spaces, with pre-marked covers, for the easy assembly of different configurations of circuit breakers.

Base and cable entry

- Manufactured in ABS RAL 9003 white.
- The upper side has horizontal and vertical marks every 4 mm which enable the installer to cut the cable entry holes as required. In the upper section, the row of T-shaped fastenings allows the cables to be fastened to the casing using cable ties.
- The lower side has cut-outs for inserting the M16, M20, M25 and M50 holes.
- The pre-marked points on the sides facilitate the making of holes, of up to 32 mm in diameter, using a holesaw.
- The cut-outs in the bottom of the base provide access to M24, M32 and M40 tubes, and the double grooves permit the insertion of self-tapping screws with a diameter of 3.6 mm for increased versatility when configuring the interior of the casing.



UPPER

LOWER

- There are four bolting points at the rear of the base for the installation of metal plates to protect the casing after it has been mounted on the wall.
- All the bases are reversible, such that the installer can select the direction of the cable inputs according to installation requirements.



Frame-base closure

- The joint between the frame and the base is closed using captive screws, the screw always stays in the housing, and does not fall out during handling and installation.
- These screws are covered with caps to offer a highly attractive look. The caps have a tab for easy extraction if it is necessary to remove the front once the casing has been installed.



GOLD

IP40 Flush-mounted distribution boxes

Wall mounting



BRICK WALLS



HOLLOW WALLS



- For the flush-mounting in brick walls, the base has a perimeter wing to facilitate assembly and ensure the correct position on the wall.
- For the flush-mounting in plasterboard hollow walls, the base has wings on the corners which, together with the assembly kit, make it possible to mount it on a hollow wall.
- The assembly kit contains metal screws with a diameter of 3.5 mm, and a plastic elevation piece, supplied already mounted on the casing. This system is used for wall thicknesses between 7 and 24 mm.
- For a perfect flush mounting, the bases have an interior and an exterior housing for the insertion of a level, supplied as an accessory.

Attachment of DIN rail and frames



- The casings with two or more rows (24 and 36 modules) are supplied with a removable frame and with the rails mounted.
- In casings with one row (12 and 18 modules), the rail is directly fastened to the base of the casing and is supplied already mounted.
- For the 24 and 36 module casings, there are two options for attaching the rail, directly over the base of the casing or using a removable frame.
- The removable frame allows the complete assembly to be conveniently put together at the work bench and subsequently transported to the casing for the final assembly.
- The geometry of the bases allows the frame to be attached easily and precisely without the need for additional markers. The frame is attached to the casing with four screws located at the ends.
- For flush-mounted bases, the rails can only be mounted in the lower position of the frame.
- The space available for the cables to pass through is 10 mm and the distance between rails is 125 mm.

Connection of casings

- Possible to connect horizontally or vertically.
- For the vertical connection, the casings with 12, 24 and 36 modules can be linked together in any combination, while the 18-module casings can only be linked together vertically among themselves.
- The linking piece, supplied as an accessory, is pressure-fitted onto the casing, without the need to use tools during the assembly.
- The distance between casings once they have been connected and mounted is 1.8 mm.



Doors and closures

- Availability of white and transparent doors. White doors manufactured in ABS RAL 9003, and transparent doors in tinted grey PC with UV protection.
- All the doors are reversible, opening 180°.
- They are quick and easy to mount, thanks to the innovative design of the hinge. Can be assembled without tools with a simple vertical rotation.
- Closing of doors using a clip system. The longitudinal and transversal ribs along the surface of the doors provide rigidity, resulting in the perfect opening and closing of the doors.
- Option to mount lock and key, supplied as accessory.



Attachment of neutral and earth bars

- All the /RR (screw-mounted bars) and /RA (push-in bars) references are supplied with the neutral and earth bars already mounted.
- The bar-holder support is attached by a clip system for quick and safe installation.
- Different types of bars, with screw or push-in mounting, can be mounted on the support.
- The bars can be mounted on either the upper or lower section of the casing. In addition, in the 24 and 36 module boxes, installation is possible at two heights (upper and lower).
- The bar terminal identifiers are directly engraved onto the support. Therefore labels are not required for the identification.



Accessories

- **Lock and key:** option to install lock and key. The doors have a pre-marked housing to facilitate the installation.
- **Level:** the bases have an interior and an exterior housing for the insertion of a level. This level is supplied as an accessory and ensures the perfect vertical assembly of the casing.
- **Linking piece:** the flush-mounted casings can be connected vertically or horizontally using the linking piece supplied as an accessory.



GOLD

IP40 Flush-mounted distribution boxes

IP40 distribution boxes. Flush-mounting in brick walls

Reference		No. of modules	External dimensions	Dimensions of the flush-fit gap	KG	Power dissipation by temperature increases °C P[W]*				
WHITE DOOR	TRANSP. DOOR					20	25	30	35	40
		HEIGHT X WIDTH X DEPTH								
GPE12PO	GPE12PT	1x12 DIN rail	284x316x97	256x288x74	1.13	12.2	15.3	18.4	21.4	24.5
GPE18PO	GPE18PT	1x18 DIN rail	284x424x97	256x396x74	1.44	15.8	19.7	23.7	27.6	31.5
GPE24PO	GPE24PT	2x12 (24) DIN rail	449x316x97	421x288x74	1.83	18.5	23.1	27.7	32.3	37.0
GPE36PO	GPE36PT	3x12 (36) DIN rail	574x316x97	546x288x74	2.31	23.2	29.0	34.8	40.6	46.4

HALOGEN-FREE PLASTIC MATERIALS

Frame and door in ABS, white RAL 9003.

Transparent door in tinted PC.

Base in PS, grey RAL 7035.

PO: White door. PT: Transparent door.

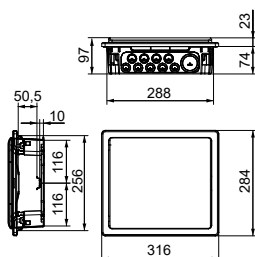
IP40 - Flush-mounting in brick walls.

* Calculations obtained in accordance with the CEI 890:1997 standard (including 1998 corrigendum). Method of temperature-rise assessment by extrapolation for partially type-tested assemblies (PTTA) of low-voltage switchgear and control gear.



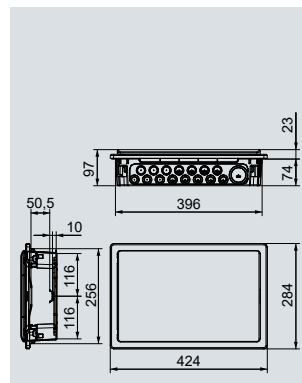
1x12 modules GPE12PO - GPE12PT

UPPER: 4x4
LOWER: 1xM50/M40 - 4xM25/M20 - 5xM25/M16
REAR: 2xM40/M32 - 4xM25
LEFT and RIGHT: 2xØ32



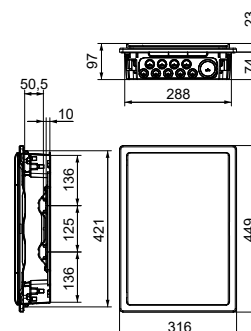
1x18 modules GPE18PO - GPE18PT

UPPER: 4x4
LOWER: 1xM50/M40 - 7xM25/M20 - 8xM25/M16
REAR: 2xM40/M32 - 4xM25
LEFT and RIGHT: 2xØ32



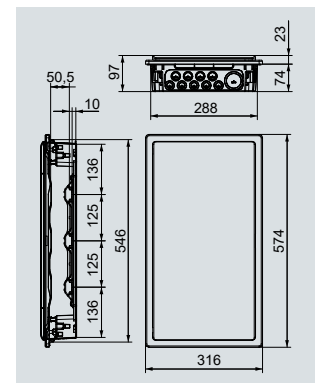
2x12 (24) modules GPE24PO - GPE24PT

UPPER: 4x4
LOWER: 1xM50/M40 - 4xM25/M20 - 5xM25/M16
REAR: 2xM40/M32 - 4xM25
LEFT and RIGHT: 3xØ32



3x12 (36) modules GPE36PO - GPE36PT

UPPER: 4x4
LOWER: 1xM50/M40 - 4xM25/M20 - 5xM25/M16
REAR: 2xM40/M32 - 4xM25
LEFT and RIGHT: 4xØ32



IP40 distribution boxes. **Flush-mounting in brick walls** With neutral and earth bars

Reference		No. of modules	External dimensions	Dimensions of the flush-fit gap	Weight	Power dissipation by temperature increases °C P(W)*				
WHITE DOOR	TRANSP. DOOR					HEIGHT X WIDTH X DEPTH			KG	20
GPE12PO/RR	GPE12PT/RR	1x12 DIN rail	284x316x97	256x288x74	1.30	12.2	15.3	18.4	21.4	24.5
GPE18PO/RR	GPE18PT/RR	1x18 DIN rail	284x424x97	256x396x74	1.66	15.8	19.7	23.7	27.6	31.5
GPE24PO/RR	GPE24PT/RR	2x12 [24] DIN rail	449x316x97	421x288x74	2.08	18.5	23.1	27.7	32.3	37.0
GPE36PO/RR	GPE36PT/RR	3x12 [36] DIN rail	574x316x97	546x288x74	2.62	23.2	29.0	34.8	40.6	46.4

IP40 distribution boxes. **Flush-mounting in conventional walls** With push-in neutral and earth bars

Reference		No. of modules	External dimensions	Dimensions of the flush-fit gap	Weight	Power dissipation by temperature increases °C P(W)*				
WHITE DOOR	TRANSP. DOOR					HEIGHT X WIDTH X DEPTH			KG	20
GPE12PO/RA	GPE12PT/RA	1x12 DIN rail	284x316x97	256x288x74	1.24	12.2	15.3	18.4	21.4	24.5
GPE18PO/RA	GPE18PT/RA	1x18 DIN rail	284x424x97	256x396x74	1.56	15.8	19.7	23.7	27.6	31.5
GPE24PO/RA	GPE24PT/RA	2x12 [24] DIN rail	449x316x97	421x288x74	2.01	18.5	23.1	27.7	32.3	37.0
GPE36PO/RA	GPE36PT/RA	3x12 [36] DIN rail	574x316x97	546x288x74	2.53	23.2	29.0	34.8	40.6	46.4

HALOGEN-FREE PLASTIC MATERIALS

Frame and door in ABS, white RAL 9003.

Transparent door in tinted PC.

Base in PS, grey RAL 7035.

/RR: With screw-mounted neutral and earth bars.

/RA: With push-in neutral and earth bars

PO: White door. PT: Transparent door.

IP40 - Flush-mounting in brick walls.

* Calculations obtained in accordance with standard CEI 890:1997 (including 1998 corrigendum). Method of temperature-rise assessment by extrapolation for partially type-tested assemblies (PTTA) of low-voltage switchgear and control gear.

GOLD

IP40 Flush-mounted distribution boxes

IP40 distribution boxes. Flush-mounted in hollow walls

Reference		No. of modules	External dimensions	Dimensions of the flush-fit gap	Weight	Power dissipation by temperature increases °C P(W)*				
WHITE DOOR	TRANSP. DOOR					20	25	30	35	40
		HEIGHT X WIDTH X DEPTH			KG					
GPE12PO/PH	GPE12PT/PH	1x12 DIN rail	284x316x97	256x288x72	1.19	12.2	15.3	18.4	21.4	24.5
GPE18PO/PH	GPE18PT/PH	1x18 DIN rail	284x424x97	256x396x72	1.52	15.8	19.7	23.7	27.6	31.5
GPE24PO/PH	GPE24PT/PH	2x12 (24) DIN rail	449x316x97	421x288x72	1.92	18.5	23.1	27.7	32.3	37.0
GPE36PO/PH	GPE36PT/PH	3x12 (36) DIN rail	574x316x97	546x288x72	2.42	23.2	29.0	34.8	40.6	46.4

HALOGEN-FREE PLASTIC MATERIALS

Frame and door in ABS, white RAL 9003.

Transparent door in tinted PC.

Base in PS V0, grey RAL 7035.

PO: White door. PT: Transparent door.

/PH: Flush-mounted plasterboard and prefabricated walls. Glow wire resistance on base of 850 °C.

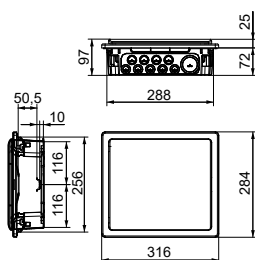
IP40 - Flush-mounted in hollow walls.

* Calculations obtained in accordance with the CEI 890:1997 standard (including 1998 corrigendum). Method of temperature-rise assessment by extrapolation for partially type-tested assemblies (PTTA) of low-voltage switchgear and control gear.



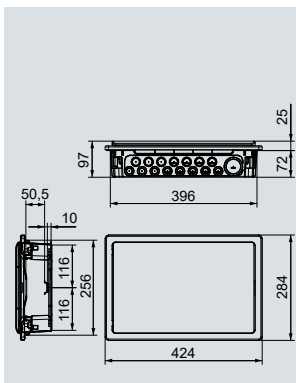
1x12 modules GPE12PO/PH - GPE12PT/PH

UPPER: 4x4
LOWER: 1xM50/M40 - 4xM25/M20 - 5xM25/M16
REAR: 2xM40/M32 - 4xM25
LEFT and RIGHT: 2xØ32



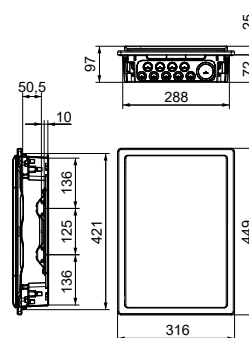
1x18 modules GPE18PO/PH - GPE18PT/PH

UPPER: 4x4
LOWER: 1xM50/M40 - 7xM25/M20 - 8xM25/M16
REAR: 2xM40/M32 - 4xM25
LEFT and RIGHT: 2xØ32



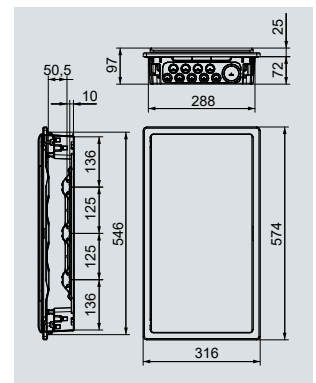
2x12 (24) modules GPE24PO/PH - GPE24PT/PH

UPPER: 4x4
LOWER: 1xM50/M40 - 4xM25/M20 - 5xM25/M16
REAR: 2xM40/M32 - 4xM25
LEFT and RIGHT: 3xØ32



3x12 (36) modules GPE36PO/PH - GPE36PT/PH

UPPER: 4x4
LOWER: 1xM50/M40 - 4xM25/M20 - 5xM25/M16
REAR: 2xM40/M32 - 4xM25
LEFT and RIGHT: 4xØ32



IP40 distribution boxes. **Flush-mounted in hollow walls** With neutral and earth bars

Reference		No. of modules	External dimensions	Dimensions of the flush-fit gap	Weight	Power dissipation by temperature increases °C P(W)*				
WHITE DOOR	TRANSP. DOOR		HEIGHT X WIDTH X DEPTH		KG	20	25	30	35	40
GPE12PO/PH/RR	GPE12PT/PH/RR	1x12 DIN rail	284x316x97	256x288x72	1.36	12.2	15.3	18.4	21.4	24.5
GPE18PO/PH/RR	GPE18PT/PH/RR	1x18 DIN rail	284x424x97	256x396x72	1.73	15.8	19.7	23.7	27.6	31.5
GPE24PO/PH/RR	GPE24PT/PH/RR	2x12 [24] DIN rail	449x316x97	421x288x72	2.17	18.5	23.1	27.7	32.3	37.0
GPE36PO/PH/RR	GPE36PT/PH/RR	3x12 [36] DIN rail	574x316x97	546x288x72	2.73	23.2	29.0	34.8	40.6	46.4

IP40 distribution boxes. **Flush-mounted in hollow walls** With push-in neutral and earth bars

Reference		No. of modules	External dimensions	Dimensions of the flush-fit gap	Weight	Power dissipation by temperature increases °C P(W)*				
WHITE DOOR	TRANSP. DOOR		HEIGHT X WIDTH X DEPTH		KG	20	25	30	35	40
GPE12PO/PH/RA	GPE12PT/PH/RA	1x12 DIN rail	284x316x97	256x288x72	1.30	12.2	15.3	18.4	21.4	24.5
GPE18PO/PH/RA	GPE18PT/PH/RA	1x18 DIN rail	284x424x97	256x396x72	1.64	15.8	19.7	23.7	27.6	31.5
GPE24PO/PH/RA	GPE24PT/PH/RA	2x12 [24] DIN rail	449x316x97	421x288x72	2.10	18.5	23.1	27.7	32.3	37.0
GPE36PO/PH/RA	GPE36PT/PH/RA	3x12 [36] DIN rail	574x316x97	546x288x72	2.65	23.2	29.0	34.8	40.6	46.4

HALOGEN-FREE PLASTIC MATERIALS

Frame and door in ABS, white RAL 9003.

Transparent door in tinted PC.

Base in PS V0, grey RAL 7035.

PO: White door. PT: Transparent door.

/PH: Flush-mounted plasterboard and prefabricated walls. Glow wire resistance on base of 850 °C.

/RR: With screw-mounted neutral and earth bars.

/RA: With push-in neutral and earth bars.

IP40 - Flush-mounted in hollow walls.

* Calculations obtained in accordance with standard CEI 890:1997 (including 1998 corrigendum). Method of temperature-rise assessment by extrapolation for partially type-tested assemblies (PTTA) of low-voltage switchgear and control gear.

Neutral and earth bars

The neutral and earth bars permit the connection of the conductors to a common collector bar thus increasing the safety of the installation.

The Gold series boxes permit the attachment of the bar-holder support using a clip system for a quick and safe installation.

Different types of bars, with screw or push-in mounting, can be mounted on the support.

Structure for screw-mounted neutral and earth bars

Reference	Terminal I		Terminal II		Cable cross-section	
	N	T	N	T	N	T
22019	1+5	-	-	-	5 x (10-25 mm ²) + 1 x (16-35 mm ²)	-
22031	2+12	2+12	-	-	6 x (2,5-6 mm ²) + 6 x (4-10 mm ²) + 1 x (10-25 mm ²) + 1 x (16-35 mm ²)	6 x (2,5-6 mm ²) + 6 x (4-10 mm ²) + 1 x (10-25 mm ²) + 1 x (16-35 mm ²)
22032	2+16	2+16	-	-	8 x (2,5-6 mm ²) + 8 x (4-10 mm ²) + 1 x (10-25 mm ²) + 1 x (16-35 mm ²)	8 x (2,5-6 mm ²) + 8 x (4-10 mm ²) + 1 x (10-25 mm ²) + 1 x (16-35 mm ²)
22033	2+16	-	-	2+16	8 x (2,5-6 mm ²) + 8 x (4-10 mm ²) + 1 x (10-25 mm ²) + 1 x (16-35 mm ²)	8 x (2,5-6 mm ²) + 8 x (4-10 mm ²) + 1 x (10-25 mm ²) + 1 x (16-35 mm ²)
22034	2+24	-	-	2+24	12 x (2,5-6 mm ²) + 12 x (4-10 mm ²) + 1 x (10-25 mm ²) + 1 x (16-35 mm ²)	12 x (2,5-6 mm ²) + 12 x (4-10 mm ²) + 1 x (10-25 mm ²) + 1 x (16-35 mm ²)

Structure for push-in neutral and earth bars

Reference	Terminal I		Terminal II		Cable cross-section	
	N	T	N	T	N	T
22041	2x(1+7)	2x(1+7)	-	-	14 x 4 mm ² + 2 x 25 mm ²	14 x 4 mm ² + 2 x 25 mm ²
22042	2x(1+7)	2x(1+7)	-	-	14 x 4 mm ² + 2 x 25 mm ²	14 x 4 mm ² + 2 x 25 mm ²
22043	3x(1+7)	-	-	3x(1+7)	21 x 4 mm ² + 3 x 25 mm ²	21 x 4 mm ² + 3 x 25 mm ²
22044	4x(1+7)	-	-	4x(1+7)	28 x 4 mm ² + 4 x 25 mm ²	28 x 4 mm ² + 4 x 25 mm ²

GOLD Accessories



HINGE



LEVEL



LOCK WITH KEY

LINKING PIECE FOR
FLUSH-MOUNTED
BOXES

GOLD Accessories

Miscellaneous	Ref.
Level 9.5x25 (10-piece bag)	22073
Hollow walls fixing claws (4-piece bag)	22100
Link piece for flush-fit boxes (2-piece bag)	22150
Hinge (2-piece bag)	22075

Locks	Ref.
Lock with key	22015

White doors	Ref.
12 modules	74745
18 modules	74765
24 modules	74785
36 modules	74805

Transparent doors	Ref.
12 modules	74746
18 modules	74766
24 modules	74786
36 modules	74806

Screw-mounted neutral and earth bars



	No. of modules	Ref.
Support + neutral or earth bar (1+5 inputs)	12-18-24-36	22019
Support + neutral and earth bar 2x(2+12 inputs)	12	22031
Support + neutral and earth bar 2x(2+16 inputs)	18	22032
Support + neutral and earth bar 2x(2+16 inputs)	24	22033
Support + neutral and earth bar 2x(2+24 inputs)	36	22034

Push-in neutral and earth bars



	No. of modules	Ref.
Support + neutral and earth bar 4x(1+7 inputs)	12	22041
Support + neutral and earth bar 4x(1+7 inputs)	18	22042
Support + neutral and earth bar 6x(1+7 inputs)	24	22043
Support + neutral and earth bar 8x(1+7 inputs)	36	22044



Headquarters.

Leonardo da Vinci, 2
Pol. Ind. Los Huertos
50800 Zuera
Zaragoza (Spain)

Storage and Logistics.

Guttemberg, 48
Pol. Ind. Los Huertos
50800 Zuera
Zaragoza (Spain)

Telephone: +34 976 451 080**E-mail:** ide@ide.es**www.ide.es**

