



# Ledinaire StreetLight

## BRP056 LED55/740 PSU 42W SLF CE

Ledinaire StreetLight, 42 W, 4850.1 lumen, 4000 K, CRI70, Safety class II, IP65, SRG4-4

Ledinaire Streetlight has been designed with Led transition in mind. Whether to refurbish old HID lanterns, or on a new country street, where you want citizens to feel safe. Ledinaire Streetlight offers simple benefits and reliable performance

### Product data

General Information	
Lighting Technology	LED
Driver included	Yes
Number of gear units	1 unit
Lamp family code	LED55 [LED module 5500 lm]
Light source engine type	LED
Value ladder	Value
Light source replaceable	No
Light Technical	
Upward light output ratio	0
Luminous Flux	4,850.1 lumen
Standard tilt angle posttop	-
Standard tilt angle side entry	0°
Correlated Color Temperature (Nom)	4000 K
Luminous Efficacy (rated) (Nom)	115 lm/W
Color rendering index (CRI)	>70
Light source color	740 neutral white
Optical cover/lens type	Polycarbonate
Luminaire light beam spread	-

Optic type outdoor	-
Operating and Electrical	
Input Voltage	220/240 V
Line Frequency	50 or 60 Hz
Input Frequency	50 or 60 Hz
Inrush current	1.1 A
Inrush time	10.5 ms
Power Consumption	42 W
Power Factor (Fraction)	0.95
Connection	-
Cable	Cable 0.5 m without plug
Number of products on MCB of 16 A type B	56
Temperature	
Ambient temperature range	-30 to +40 °C
Controls and Dimming	
Dimmable	No
Driver/power unit/transformer	Power supply unit (On/Off)

# Ledinaire StreetLight

Constant light output	No
-----------------------	----

## Mechanical and Housing

Housing Material	Aluminium pressure die cast
Reflector material	-
Optic material	Polycarbonate
Optical cover/lens material	Polycarbonate
Fixation material	Aluminum
Housing Color	Dark gray
Mounting device	Side-entry for diameter 48 to 60 mm
Optical cover/lens shape	Curved
Optical cover/lens finish	Clear
Overall length	421 mm
Overall width	141 mm
Overall height	78 mm
Effective projected area	0.06 m <sup>2</sup>
Dimensions (Height x Width x Depth)	78 x 141 x 421 mm

## Approval and Application

Ingress protection code	IP65 [Dust penetration-protected, jet-proof]
Mech. impact protection code	IK07 [2 J reinforced]
Surge Protection (Common/Differential)	Luminaire surge protection level until 4 kV differential mode and 4 kV common mode
Sustainability rating	-
Protection class IEC	Safety class II
Flammability mark	-
CE mark	Yes
ENEC mark	-
Warranty period	3 years

Photobiological risk	Photobiological risk group 1 @200mm to EN62778
----------------------	--

Photobiological risk specification	4 m
EU RoHS compliant	Yes

## Initial Performance (IEC Compliant)

Luminous flux tolerance	+/-7%
Initial chromaticity	(0.3796 / 0.3704) SDCM 5
Power consumption tolerance	+/-10%
Init. Color Rendering Index Tolerance	+/-2

## Over Time Performance (IEC Compliant)

Lumen maintenance at median useful life*	L80 50000 h
--	----------------

## Application Conditions

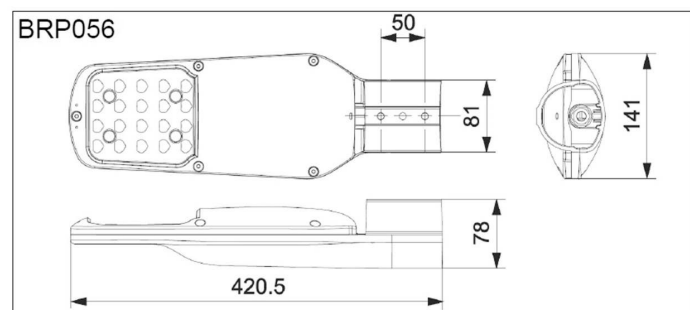
Performance ambient temperature Tq	25 °C
Maximum dim level	Not applicable

## Product Data

Full product code	871951451209299
Order product name	BRP056 LED55/740 PSU 42W SLF CE
Order code	919515814272
Numerator - Quantity Per Pack	1
Numerator - Packs per outer box	4
Material number (12NC)	919515814272
Full product name	BRP056 LED55/740 PSU 42W SLF CE
EAN/UPC - Case	8719514511491



## Dimensional drawing



## Ledinaire StreetLight

