



Ledinaire StreetLight

BRP056 LED35/740 PSU 27W SLF CE

Ledinaire StreetLight, 27 W, 3101.1 lumen, 4000 K, CRI70, Safety class II, IP65, SRG4-4

Ledinaire Streetlight has been designed with Led transition in mind. Whether to refurbish old HID lanterns, or on a new country street, where you want citizens to feel safe. Ledinaire Streetlight offers simple benefits and reliable performance

Product data

General Information	
Lighting Technology	LED
Driver included	Yes
Number of gear units	1 unit
Lamp family code	LED35 [LED module 3500 lm]
Light source engine type	LED
Value ladder	Value
Light source replaceable	No
Light Technical	
Upward light output ratio	0
Luminous Flux	3,101.1 lumen
Standard tilt angle posttop	-
Standard tilt angle side entry	0°
Correlated Color Temperature (Nom)	4000 K
Luminous Efficacy (rated) (Nom)	115 lm/W
Color rendering index (CRI)	>70
Light source color	740 neutral white
Optical cover/lens type	Polycarbonate
Luminaire light beam spread	-

Optic type outdoor	-
Operating and Electrical	
Input Voltage	220/240 V
Line Frequency	50 or 60 Hz
Input Frequency	50 or 60 Hz
Inrush current	0.9 A
Inrush time	8.5 ms
Power Consumption	27 W
Power Factor (Fraction)	0.95
Connection	-
Cable	Cable 0.5 m without plug
Number of products on MCB of 16 A type B	77
Temperature	
Ambient temperature range	-30 to +40 °C
Controls and Dimming	
Dimmable	No
Driver/power unit/transformer	Power supply unit (On/Off)

Ledinaire StreetLight

Constant light output	No
-----------------------	----

Mechanical and Housing

Housing Material	Aluminium pressure die cast
Reflector material	-
Optic material	Polycarbonate
Optical cover/lens material	Polycarbonate
Fixation material	Aluminum
Housing Color	Dark gray
Mounting device	Side-entry for diameter 48 to 60 mm
Optical cover/lens shape	Curved
Optical cover/lens finish	Clear
Overall length	421 mm
Overall width	141 mm
Overall height	78 mm
Effective projected area	0.06 m ²
Dimensions (Height x Width x Depth)	78 x 141 x 421 mm

Approval and Application

Ingress protection code	IP65 [Dust penetration-protected, jet-proof]
Mech. impact protection code	IK07 [2 J reinforced]
Surge Protection (Common/Differential)	Luminaire surge protection level until 4 kV differential mode and 4 kV common mode
Sustainability rating	-
Protection class IEC	Safety class II
Flammability mark	-
CE mark	Yes
ENEC mark	-
Warranty period	3 years

Photobiological risk	Photobiological risk group 1 @200mm to EN62778
----------------------	--

Photobiological risk specification	4 m
EU RoHS compliant	Yes

Initial Performance (IEC Compliant)

Luminous flux tolerance	+/-7%
Initial chromaticity	(0.3773 / 0.3701) SDCM 5
Power consumption tolerance	+/-10%
Init. Color Rendering Index Tolerance	+/-2

Over Time Performance (IEC Compliant)

Lumen maintenance at median useful life*	L80 50000 h
--	----------------

Application Conditions

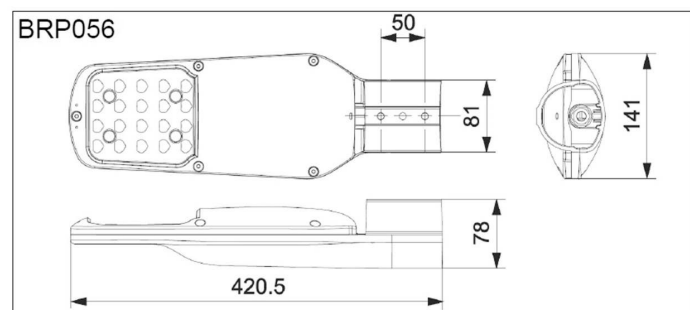
Performance ambient temperature Tq	25 °C
Maximum dim level	Not applicable

Product Data

Full product code	871951451208599
Order product name	BRP056 LED35/740 PSU 27W SLF CE
Order code	919515814271
Numerator - Quantity Per Pack	1
Numerator - Packs per outer box	4
Material number (12NC)	919515814271
Full product name	BRP056 LED35/740 PSU 27W SLF CE
EAN/UPC - Case	8719514511484



Dimensional drawing



Ledinaire StreetLight

