

Tubular ring terminals with inspection hole, KORo type

FEATURES & BENEFITS

- ring terminal Cu, standard, with galvanic tin plating and inspection hole
- description of cable cross-section and terminal size on fin surface
- very wide range

MECHANICAL DATA

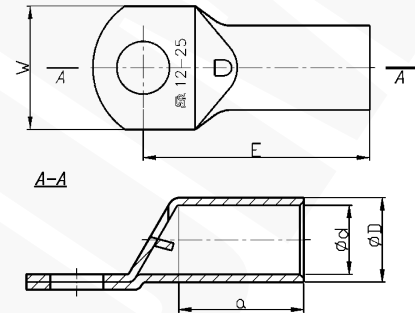
Material	Cu
Covering	tin-plated

CERTIFICATES & STANDARDS

UL certificate	E475284
Design	standard

NOTE!

Sector-shaped conductors (sm) must be rounded with special dies. UL certificate - visit www.ergom.com



Type	Index Ergom	Cross-section, mm ² /mm ²	d	D	a	E	W	Screw hole	UL	Socket code no.	Lz/s	Lz/w	Quantity in package [pcs]	Weight [kg]
KORo 0,75/3 (100 PCS)	E11KM-01020199400	0,75	1,3	2,8	5,8	12,0	6,0	M3	-	-	-	1	100	0,06
KORo 0,75/4 (100 PCS)	E11KM-01020199410					13,0	6,5	M4						
KORo 0,75/5 (100 PCS)	E11KM-01020199420					14,0	7,5	M5						
KORo 1,5/3 (100 PCS)	E11KM-01020199480	1,5	1,8	3,3	5,8	12,0	6,5	M3	-	-	-	1	100	0,08
KORo 1,5/4 (100 PCS)	E11KM-01020199580					13,0		M4						0,1
KORo 1,5/5 (100 PCS)	E11KM-01020199590					14,0	7,5	M5						0,09
KORo 1,5/6 (100 PCS)	E11KM-01020199600					16,0	9,0	M6						0,1
KORo 2,5/3 (100 PCS)	E11KM-01020199660	2,5	2,3	4,2	5,8	12,0	7,5	M3	-	-	-	1	100	0,13
KORo 2,5/4 (100 PCS)	E11KM-01020199670					13,0		M4						0,14
KORo 2,5/5 (100 PCS)	E11KM-01020199680					14,0	8,5	M5						0,14
KORo 2,5/6 (100 PCS)	E11KM-01020199690	16,0	9,5	M6	0,16									
KORo 2,5/8 (100 PCS)	E11KM-01020199710	20,0	13,0	M8	0,19									
KORo 4/4 (100 PCS)	E11KM-01020199760	4	3,0	5,0	7,8	18,0	8,5	M4	-	-	-	1	100	0,22
KORo 4/5 (100 PCS)	E11KM-01020199770					18,0	9,0	M5						0,26
KORo 4/6 (100 PCS)	E11KM-01020199780					19,0	10,0	M6						0,28
KORo 4/8 (100 PCS)	E11KM-01020199800					22,0	13,0	M8						0,3
KORo 6/4 (100 PCS)	E11KM-01020199870					18,0	9,5	M4						0,31
KORo 6/5 (100 PCS)	E11KM-01020199880	19,0	10,0	M5	0,35									
KORo 6/6 (100 PCS)	E11KM-01020199890	22,0	14,0	M8	0,37									
KORo 6/8 (100 PCS)	E11KM-01020199910	25,0	16,0	M10	0,4									
KORo 6/10 (100 PCS)	E11KM-01020199930	19,0	19,0	M12										

Type	Index Ergom	Cross-section, mm/sm [mm²]	d	D	a	E	W	Screw hole	UL	Socket code no.	Lz/s	Lz/w	Quantity in package [pcs]	Weight [kg]								
KORo 10/5 (100 PCS)	E11KM-01020200100	10	4,5	7,0	10	21,0	12	M5	√	7	1	1	100	0,53								
KORo 10/5 (10 PCS)	E11KM-01020200102							10					0,06									
KORo 10/6 (100 PCS)	E11KM-01020200200					21,5	15	M6					100	0,52								
KORo 10/6 (10 PCS)	E11KM-01020200202							10					0,06									
KORo 10/8 (100 PCS)	E11KM-01020200300					23,5	15	M8					100	0,6								
KORo 10/8 (10 PCS)	E11KM-01020200302							10					0,06									
KORo 10/10 (100 PCS)	E11KM-01020200400					25,5	17	M10					100	0,65								
KORo 10/10 (10 PCS)	E11KM-01020200402							10					0,07									
KORo 10/12 (100 PCS)	E11KM-01020200500					26,5	19	M12					100	0,64								
KORo 10/12 (10 PCS)	E11KM-01020200502							10					0,07									
KORo 16/5 (100 PCS)	E11KM-01020200600					16	5,5	8,5					13	25,0	12	M5	√	8	1	2	100	0,91
KORo 16/5 (10 PCS)	E11KM-01020200602															10					0,1	
KORo 16/6 (100 PCS)	E11KM-01020200700	25,5	15	M6	100				0,9													
KORo 16/6 (10 PCS)	E11KM-01020200702			10	0,1																	
KORo 16/8 (100 PCS)	E11KM-01020200800	27,5	15	M8	100				0,97													
KORo 16/8 (10 PCS)	E11KM-01020200802			10	0,1																	
KORo 16/10 (100 PCS)	E11KM-01020200900	29,5	17	M10	100				1													
KORo 16/10 (10 PCS)	E11KM-01020200902			10	0,1																	
KORo 16/12 (100 PCS)	E11KM-01020201000	30,5	19	M12	100				1,1													
KORo 16/12 (10 PCS)	E11KM-01020201002			10	0,12																	
KORo 25/5 (100 PCS)	E11KM-01020201100	25	7,0	10,0	15				28,0	14	M5	√		10	1	2					100	1,18
KORo 25/5 (10 PCS)	E11KM-01020201102										10										0,12	
KORo 25/6 (100 PCS)	E11KM-01020201200					28,5	16	M6	100	1,22												
KORo 25/6 (10 PCS)	E11KM-01020201202							10	0,13													
KORo 25/8 (100 PCS)	E11KM-01020201300					30,5	16	M8	100	1,25												
KORo 25/8 (10 PCS)	E11KM-01020201302							10	0,13													
KORo 25/10 (100 PCS)	E11KM-01020201400					32,5	18	M10	100	1,3												
KORo 25/10 (10 PCS)	E11KM-01020201402							10	0,14													
KORo 25/12 (100 PCS)	E11KM-01020201500					33,5	19	M12	100	1,3												
KORo 25/12 (10 PCS)	E11KM-01020201502							10	0,14													
KORo 25/14 (100 PCS)	E11KM-01020201600					35,5	21	M14	100	1,45												
KORo 25/14 (10 PCS)	E11KM-01020201602							10	0,15													
KORo 35/6 (100 PCS)	E11KM-01020201700	35	8,5	12,0	17	31,5	18	M6	√	12	1	2	100	1,82								
KORo 35/6 (10 PCS)	E11KM-01020201702							10					0,2									
KORo 35/8 (100 PCS)	E11KM-01020201800					33,5	18	M8					100	1,94								
KORo 35/8 (10 PCS)	E11KM-01020201802							10					0,2									
KORo 35/10 (100 PCS)	E11KM-01020201900					35,5	20	M10					100	2,1								
KORo 35/10 (10 PCS)	E11KM-01020201902							10					0,22									
KORo 35/12 (100 PCS)	E11KM-01020202000					36,5	21	M12					100	2,05								
KORo 35/12 (10 PCS)	E11KM-01020202002							10					0,22									
KORo 35/14 (100 PCS)	E11KM-01020202100					38,5	21	M14					100	2,2								
KORo 35/14 (10 PCS)	E11KM-01020202102							10					0,23									
KORo 35/16 (100 PCS)	E11KM-01020202200					39,5	26	M16					100	2,3								
KORo 35/16 (10 PCS)	E11KM-01020202202							10					0,24									
KORo 50/6 (100 PCS)	E11KM-01020202300	50	10,0	14,0	19	34,5	20	M6	√	14	1	2	100	2,58								
KORo 50/6 (10 PCS)	E11KM-01020202302							10					0,26									
KORo 50/8 (100 PCS)	E11KM-01020202400					36,5	23	M8					100	2,8								
KORo 50/8 (10 PCS)	E11KM-01020202402							10					0,29									
KORo 50/10 (100 PCS)	E11KM-01020202500					38,5	28	M10					100	3,05								
KORo 50/10 (10 PCS)	E11KM-01020202502							10					0,31									
KORo 50/12 (100 PCS)	E11KM-01020202600					39,5	28	M12					100	2,95								
KORo 50/12 (10 PCS)	E11KM-01020202602							10					0,31									
KORo 50/14 (100 PCS)	E11KM-01020202700					41,5	30	M14					100	3,2								
KORo 50/14 (10 PCS)	E11KM-01020202702							10					0,33									
KORo 50/16 (100 PCS)	E11KM-01020202800					42,5	30	M16					100	3,3								
KORo 50/16 (10 PCS)	E11KM-01020202802							10					0,34									
KORo 50/20 (100 PCS)	E11KM-01020202900	47,0	30	M20	100	3,6																
KORo 50/20 (10 PCS)	E11KM-01020202902			10	0,37																	

Type	Index Ergom	Cross-section, mm/sm [mm²]	d	D	a	E	W	Screw hole	UL	Socket code no.	Lz/s	Lz/w	Quantity in package [pcs]	Weight [kg]										
KORo 70/6 (100 PCS)	E11KM-01020203000	70	12,0	16,5	21	40,5	23	M6	√	16	1	2	100	4,25										
KORo 70/6 (10 PCS)	E11KM-01020203002							10					0,43											
KORo 70/8 (100 PCS)	E11KM-01020203100							40,5					23	M8	100	4,2								
KORo 70/8 (10 PCS)	E11KM-01020203102													10	0,43									
KORo 70/10 (100 PCS)	E11KM-01020203200							43,5					28	M10	100	4,6								
KORo 70/10 (10 PCS)	E11KM-01020203202													10	0,5									
KORo 70/12 (100 PCS)	E11KM-01020203300							46,5					31	M12	100	4,4								
KORo 70/12 (10 PCS)	E11KM-01020203302													10	0,5									
KORo 70/14 (100 PCS)	E11KM-01020203400							46,5					28	M14	100	4,9								
KORo 70/14 (10 PCS)	E11KM-01020203402													10	0,5									
KORo 70/16 (100 PCS)	E11KM-01020203500					51,0	31	M16					100	4,7										
KORo 70/16 (10 PCS)	E11KM-01020203502							10					0,5											
KORo 70/20 (100 PCS)	E11KM-01020203600					51,0	31	M20					100	5										
KORo 70/20 (10 PCS)	E11KM-01020203602							10					0,5											
KORo 95/8 (50 PCS)	E11KM-01020203700					95	13,5	18,0					24	47,0	26	M8	√	17	1	2	50	2,8		
KORo 95/8 (10 PCS)	E11KM-01020203702															10					0,6			
KORo 95/10 (50 PCS)	E11KM-01020203800															47,0					26	M10	50	2,72
KORo 95/10 (10 PCS)	E11KM-01020203802																					10	0,6	
KORo 95/12 (50 PCS)	E11KM-01020203900															50,0					29	M12	50	2,65
KORo 95/12 (10 PCS)	E11KM-01020203902																					10	0,6	
KORo 95/14 (50 PCS)	E11KM-01020204000	50,0	29	M14	50				2,85															
KORo 95/14 (10 PCS)	E11KM-01020204002			10	0,6																			
KORo 95/16 (50 PCS)	E11KM-01020204100	54,5	35	M16	50				2,85															
KORo 95/16 (10 PCS)	E11KM-01020204102			10	0,6																			
KORo 95/20 (50 PCS)	E11KM-01020204200	54,5	35	M20	50				3,1															
KORo 95/20 (10 PCS)	E11KM-01020204202			10	0,7																			
KORo 120/8 (50 PCS)	E11KM-01020204300	120	15,0	19,5	26				50,0	29	M10	√		19	1	2					50	3,3		
KORo 120/8 (10 PCS)	E11KM-01020204302										10										0,7			
KORo 120/10 (50 PCS)	E11KM-01020204400										50,0										29	M12	50	3,15
KORo 120/10 (10 PCS)	E11KM-01020204402																					10	0,7	
KORo 120/12 (50 PCS)	E11KM-01020204500										53,0										35	M14	50	3,17
KORo 120/12 (10 PCS)	E11KM-01020204502																					10	0,7	
KORo 120/14 (50 PCS)	E11KM-01020204600										53,0										35	M16	50	3,4
KORo 120/14 (10 PCS)	E11KM-01020204602																					10	0,7	
KORo 120/16 (50 PCS)	E11KM-01020204700					57,5	35	M20			50		3,4											
KORo 120/16 (10 PCS)	E11KM-01020204702							10			0,7													
KORo 120/20 (50 PCS)	E11KM-01020204800					57,5	35	M20	50	3,5														
KORo 120/20 (10 PCS)	E11KM-01020204802							10	0,8															
KORo 150/8 (50 PCS)	E11KM-01020204900					150	16,5	21,0	29	54,0	31		M8				√	20	2	4	50	3,78		
KORo 150/8 (10 PCS)	E11KM-01020204902												10								0,8			
KORo 150/10 (50 PCS)	E11KM-01020205000												54,0								31	M10	50	3,73
KORo 150/10 (10 PCS)	E11KM-01020205002																					10	0,8	
KORo 150/12 (50 PCS)	E11KM-01020205100												57,0								35	M12	50	3,55
KORo 150/12 (10 PCS)	E11KM-01020205102																					10	0,8	
KORo 150/14 (50 PCS)	E11KM-01020205200												57,0								35	M14	50	3,9
KORo 150/14 (10 PCS)	E11KM-01020205202																					10	0,8	
KORo 150/16 (50 PCS)	E11KM-01020205300	61,5	35	M16	50							3,88												
KORo 150/16 (10 PCS)	E11KM-01020205302			10	0,8																			
KORo 150/20 (50 PCS)	E11KM-01020205400	61,5	35	M20	50					4,2														
KORo 150/20 (10 PCS)	E11KM-01020205402			10	0,9																			
KORo 185/10 (50 PCS)	E11KM-01020205500	185	19,0	24,0	30					56,5	35	M10	√	23	2	4					50	4,92		
KORo 185/10 (10 PCS)	E11KM-01020205502											10									1			
KORo 185/12 (50 PCS)	E11KM-01020205600											56,5									35	M12	50	4,82
KORo 185/12 (10 PCS)	E11KM-01020205602																					10	1	
KORo 185/14 (50 PCS)	E11KM-01020205700											59,5									38	M14	50	5,35
KORo 185/14 (10 PCS)	E11KM-01020205702																					10	1,1	
KORo 185/16 (50 PCS)	E11KM-01020205800											64,0									38	M16	50	5,11
KORo 185/16 (10 PCS)	E11KM-01020205802																					10	1,1	
KORo 185/20 (50 PCS)	E11KM-01020205900					64,0	38	M20	50			5,5												
KORo 185/20 (10 PCS)	E11KM-01020205902							10	1,2															

Type	Index Ergom	Cross-section, mm ² [mm ²]	d	D	a	E	W	Screw hole	UL	Socket code no.	Lz/s	Lz/w	Quantity in package [pcs]	Weight [kg]										
KORo 240/10 (50 PCS)	E11KM-01020206000	240	21,0	26,0	38	73,5	38	M10	√	25	2	4	50	7,3										
KORo 240/10 (10 PCS)	E11KM-01020206002							10					1,5											
KORo 240/12 (50 PCS)	E11KM-01020206100							M12					50	7,3										
KORo 240/12 (10 PCS)	E11KM-01020206102							10					1,5											
KORo 240/14 (50 PCS)	E11KM-01020206200							M14					50	7,2										
KORo 240/14 (10 PCS)	E11KM-01020206202							10					1,5											
KORo 240/16 (50 PCS)	E11KM-01020206300							M16					50	7,1										
KORo 240/16 (10 PCS)	E11KM-01020206302							10					1,5											
KORo 240/20 (50 PCS)	E11KM-01020206400							M20					50	7										
KORo 240/20 (10 PCS)	E11KM-01020206402							10					1,5											
KORo 300/10 (25 PCS)	E11KM-01020206500							300					24,0	30,0	45	82,5	43	M10	-	28	2	-	25	5,7
KORo 300/10 (10 PCS)	E11KM-01020206502																	10					2,3	
KORo 300/12 (25 PCS)	E11KM-01020206600	M12	25	5,5																				
KORo 300/12 (10 PCS)	E11KM-01020206602	10	2,3																					
KORo 300/14 (25 PCS)	E11KM-01020206700	M14	25	5,5																				
KORo 300/14 (10 PCS)	E11KM-01020206702	10	2,3																					
KORo 300/16 (25 PCS)	E11KM-01020206800	M16	25	5,5																				
KORo 300/16 (10 PCS)	E11KM-01020206802	10	2,2																					
KORo 300/20 (25 PCS)	E11KM-01020206900	M20	25	5,2																				
KORo 300/20 (10 PCS)	E11KM-01020206902	10	2,2																					
KORo 400/12	E11KM-01020207002	400	27,5	33,5	50	90	49		M12	-	32	2						-					1	0,3
KORo 400/14	E11KM-01020207102								M14															
KORo 400/16	E11KM-01020207202							M16																
KORo 400/20	E11KM-01020207302							M20																
KORo 500/12	E11KM-01020207402	500	31,0	38,0	70	112,5	55	M12	-	36	3	-	1	0,5										
KORo 500/16	E11KM-01020207502							M16																
KORo 500/20	E11KM-01020207602							M20																
KORo 625/12	E11KM-01020207702							M12																
KORo 625/16	E11KM-01020207802	625	34,0	40,0	70	114,0	60	M16	-	42	3	-	1	0,5										
KORo 625/20	E11KM-01020207902							M20																

Lz/s - Number of crimping - wide, Lz/w - Number of crimping - narrow